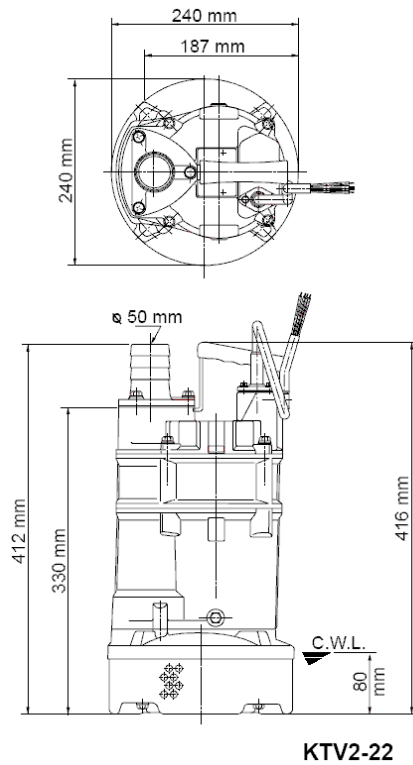
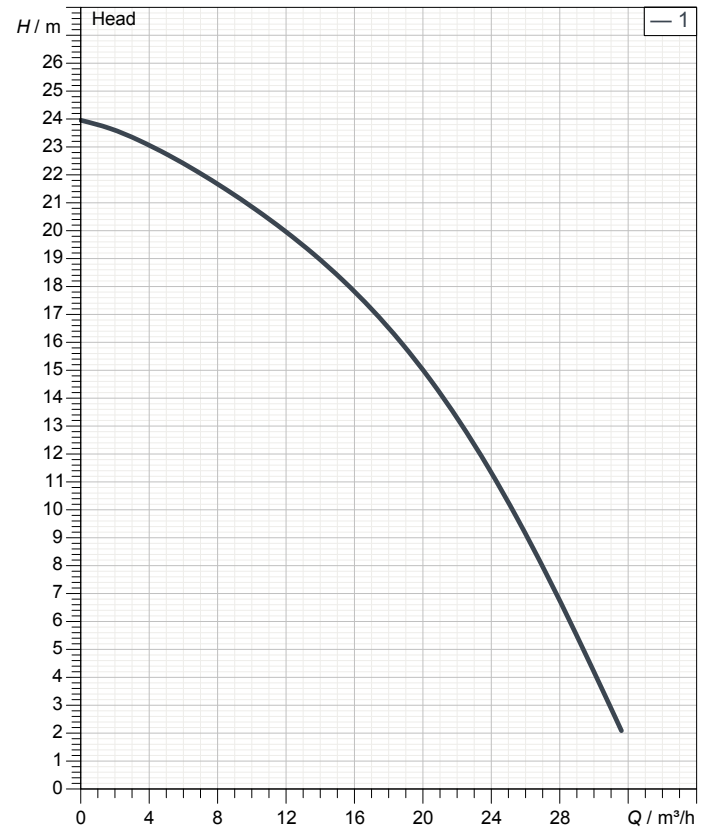


# Data sheet KTV2-22



CWL: Continuous running water level



## Specification

Electric submersible pump KTV-series  
 Degree of protection IP 68  
 Pressure resistance max. 25 m  
 Type of impeller semi-vortex  
 Max. solid handling 8,5 mm  
 Suitable for:  
 rain water, ground water, sand water

## Electric motor

Dry-type submersible induction motor  
 Insulation class E 2Poles 2870 1/min  
 Starting mode Direct starting  
 Rated voltage 400 V 50 Hz 3~  
 Power uptake 2,67 kW  
 Rated power 2,20 kW  
 Rated current 4,3 A  
 Start current 30,0 A

## Cable

20m NSSHÖU 4Cx1,5mm²

## Motor Protection

Circle thermal protector  
 (snap-action bi-metal device)

## Shaft seal

Double inside mechanical seal in oil bath  
 additional lubrication by oil lifting device  
 Primary seal  
 Silicon carbide on silicon carbide  
 Secondary seal  
 Silicon carbide on silicon carbide

## Bearings

Shielded ball bearings, maintenance-free

## Materials

Impeller	FCD700 (EN-GJS-700-2)
Pump casing	Rubber
Motor Frame	Aluminium alloy casting
Shaft	SUS403 (EN-X6Cr13)

## Discharge size

2" (50mm) Hose Coupling / BS-Coupling (optional)

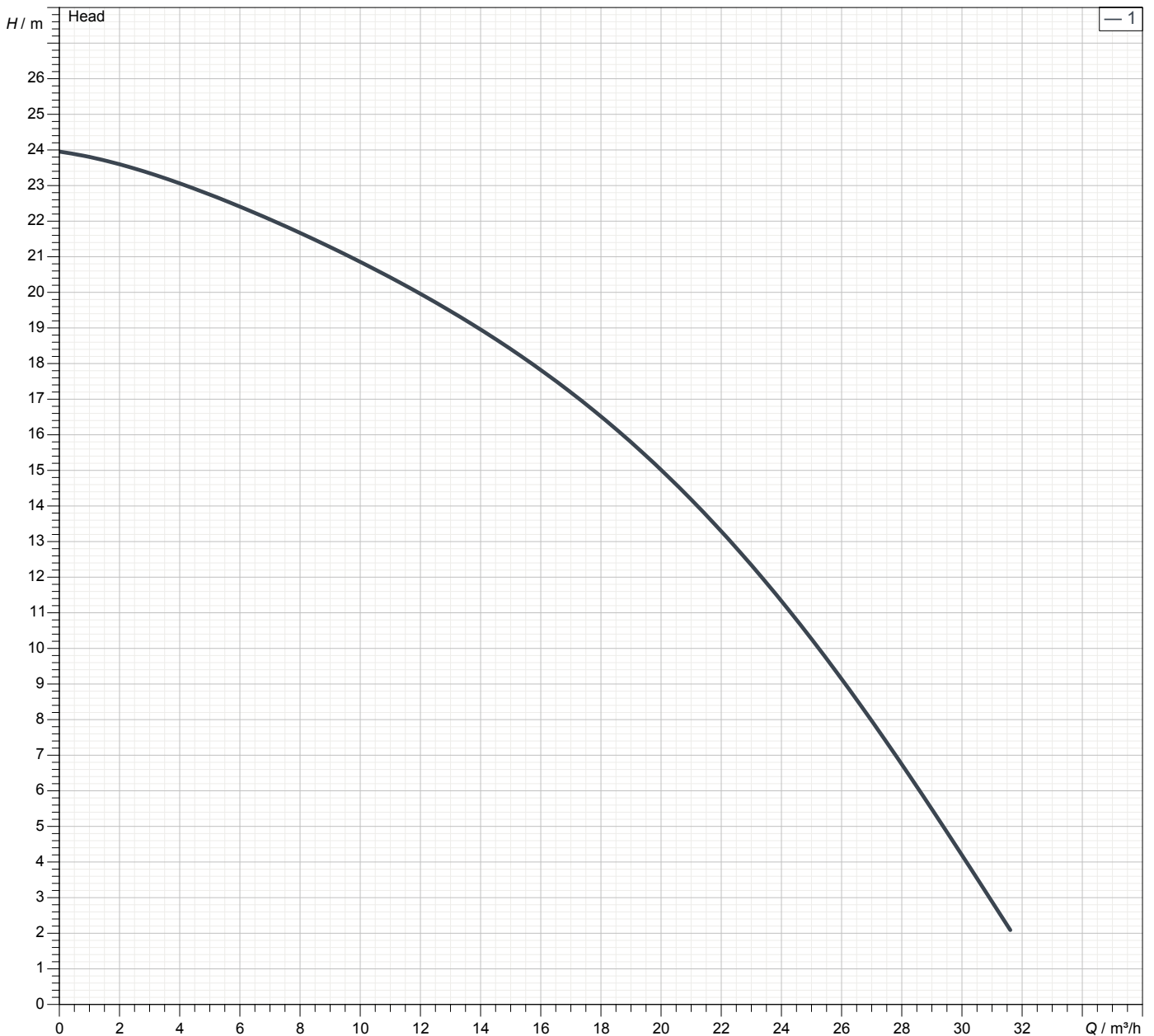
## Weight

23 kg (dry weight of the pump only without cable)

# Performance curve

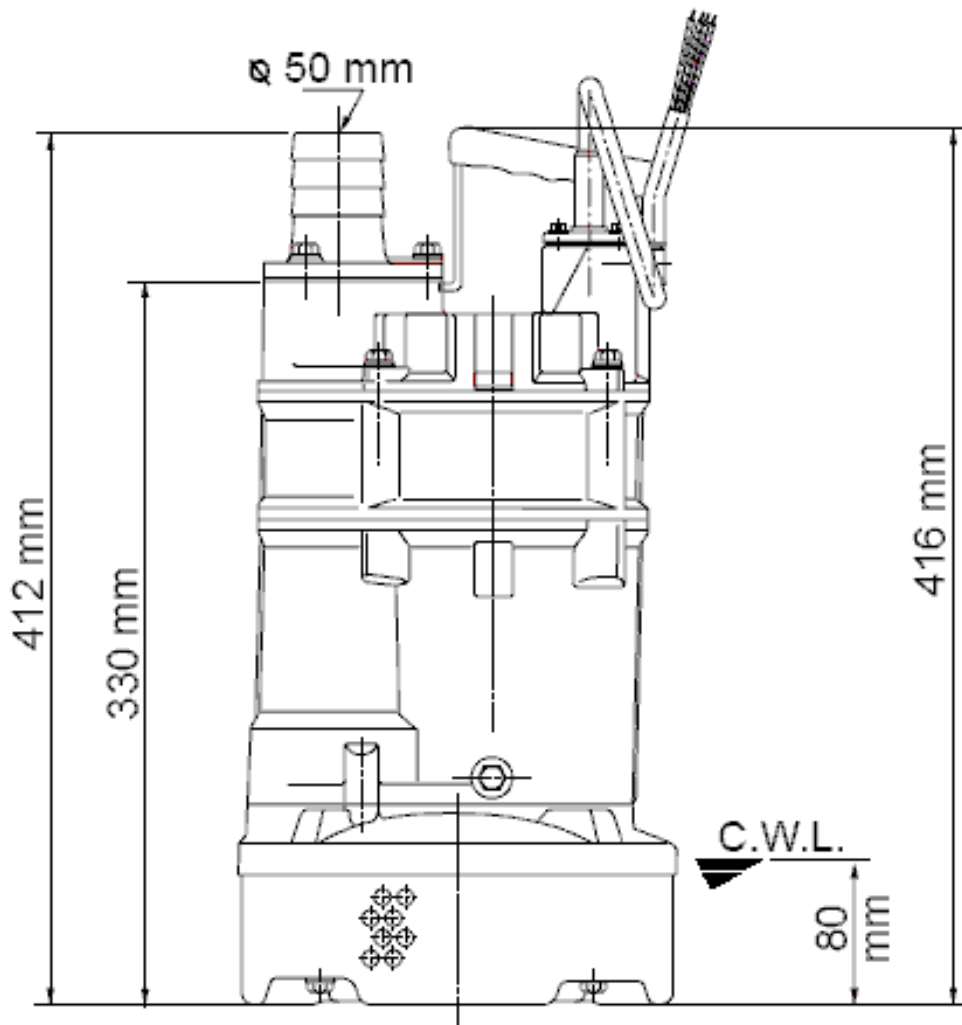
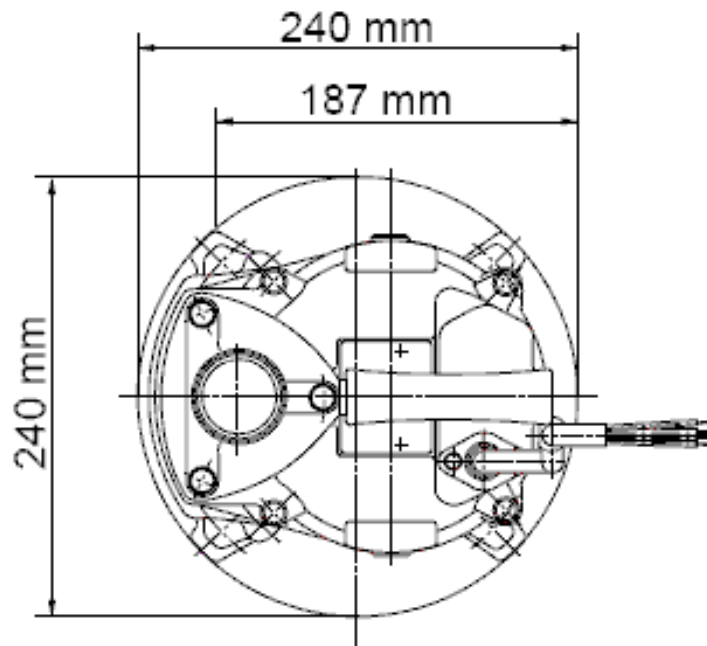
## KTV2-22

Discharge port	2"
Head	24,0 m
Flow	31,6 m <sup>3</sup> /h
Rated power	2,20 kW
Power input	2,67 kW
Phases	3~
Voltages	400 V
Frequency	50 Hz
Rated current	4,3 A
Starting current	30,01 A
Number of poles	2
Speed	2870 1/min
Starting mode	Direct starting
Insulation class	E



# Dimensions

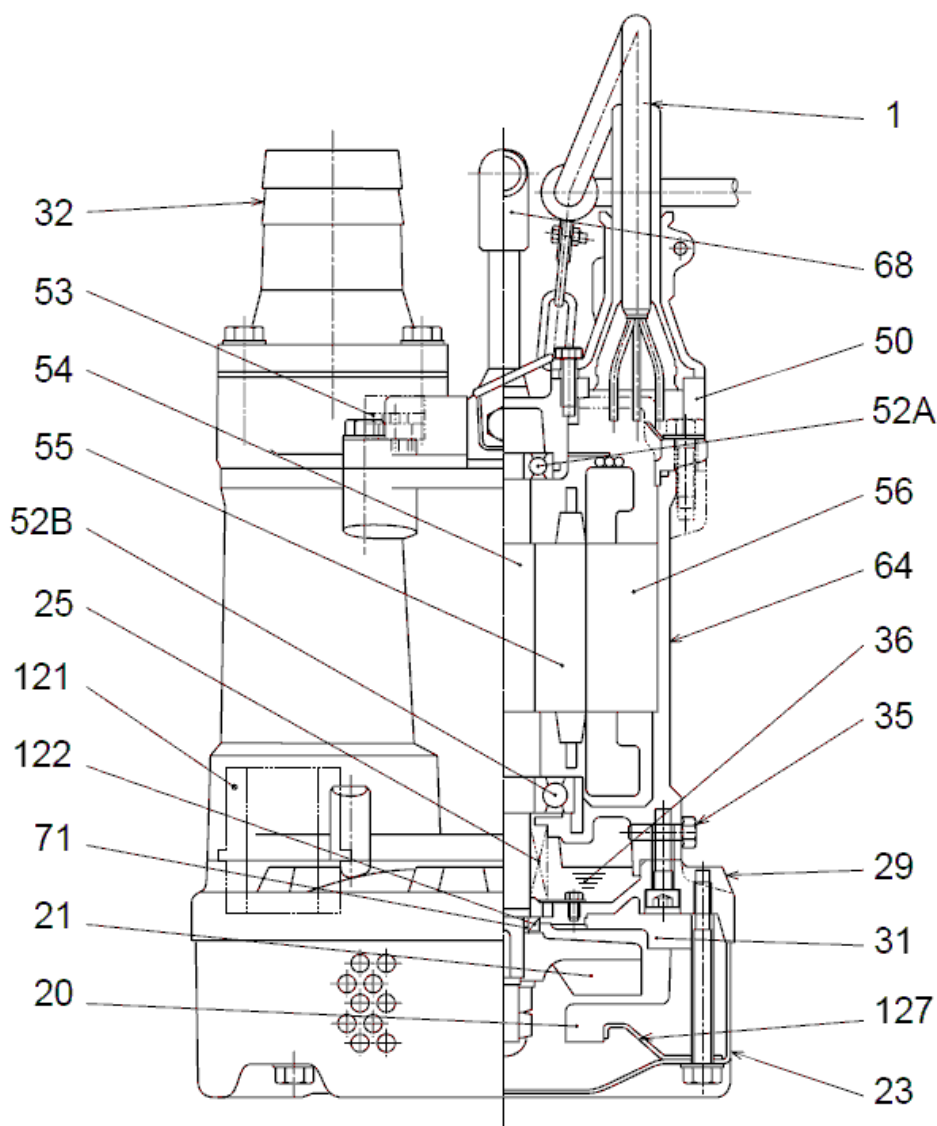
## KTV2-22



**KTV2-22**

CWL: Continuous running water level  
 LWL: Lowest running water level

# Sectional drawing KTV2-22



No.	Description	Remark	No.	Description	Remark
1	Cable	20m NSSHÖU	56	Stator	.
20	Pump casing	Rubber	64	Motor Frame	Aluminium alloy casting
21	Impeller	FCD700 (EN-GJS-700-2)	68	Handle	Steelplate + butadieneacrylnitrilerubber
23	Strainer	Steel plate	71	Shaft protection sleeve	SUS304 (EN-X5CrNi18-10)
25	Mechanical seal	H-20T	121	Seal	Rubber
29	Oil casing	Aluminium alloy casting	122	V-ring	Butadieneacrylnitrilerubber
31	Wear protection	Rubber	127	Pressure plate	Steel plate
32	Discharge coupling	Aluminium alloy casting			
35	Oil screw	SUS304 (EN-X5CrNi18-10)			
36	Lubricant	Turbine oil (ISO VG32)			
50	Main cover	Aluminium alloy casting			
52A	Upper bearing	6204ZZC3			
52B	Lower bearing	6305ZZC3			
53	Motor Protector 380/400/415V-50Hz	KA314-HRXL00 (H.C)			
54	Shaft	SUS403 (EN-X6Cr13)			
55	Rotor	.			