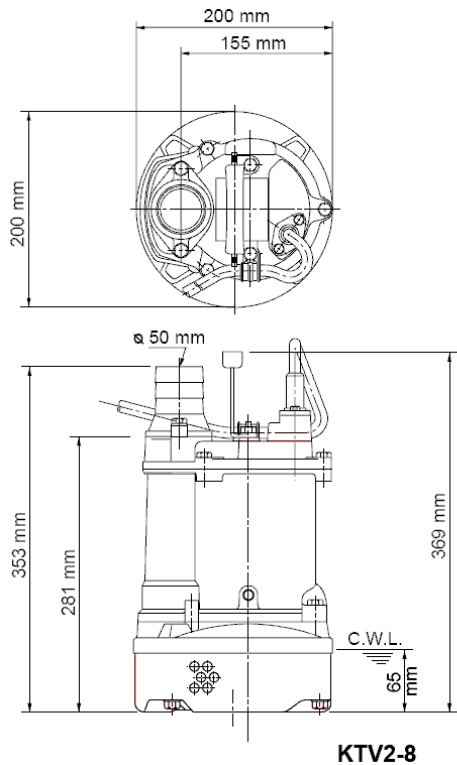
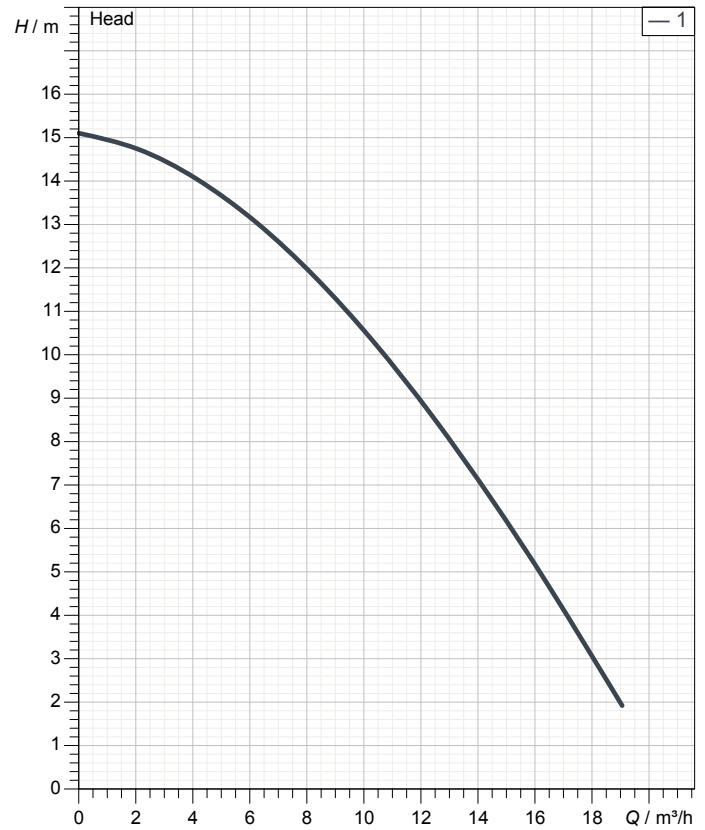


# Data sheet KTV2-8



CWL: Continuous running water level



## Specification

Electric submersible pump KTV-series  
 Degree of protection IP 68  
 Pressure resistance max. 10 m  
 Type of impeller semi-vortex  
 Max. solid handling 6 mm  
 Suitable for:  
 rain water, ground water, sand water

## Electric motor

Dry-type submersible induction motor  
 Insulation class E 2Poles 2780 1/min  
 Starting mode Direct starting  
 Rated voltage 400 V 50 Hz 3~  
 Power uptake 1,16 kW  
 Rated power 0,75 kW  
 Rated current 1,8 A  
 Start current 9,0 A

## Cable

10m NSSHÖU 4Cx1,5mm²

## Motor Protection

Circle thermal protector  
 (snap-action bi-metal device)

## Shaft seal

Double inside mechanical seal in oil bath  
 additional lubrication by oil lifting device  
 Primary seal  
 Silicon carbide on silicon carbide  
 Secondary seal  
 Carbon on ceramic

## Bearings

Shielded ball bearings, maintenance-free

## Materials

Impeller	Urethane rubber
Pump casing	Rubber
Motor Frame	Aluminium alloy casting
Shaft	SUS420J2 (EN-X30Cr13)

## Discharge size

2" (50mm) Hose Coupling / BS-Coupling (optional)

## Weight

11,5 kg (dry weight of the pump only without cable)

# Performance curve

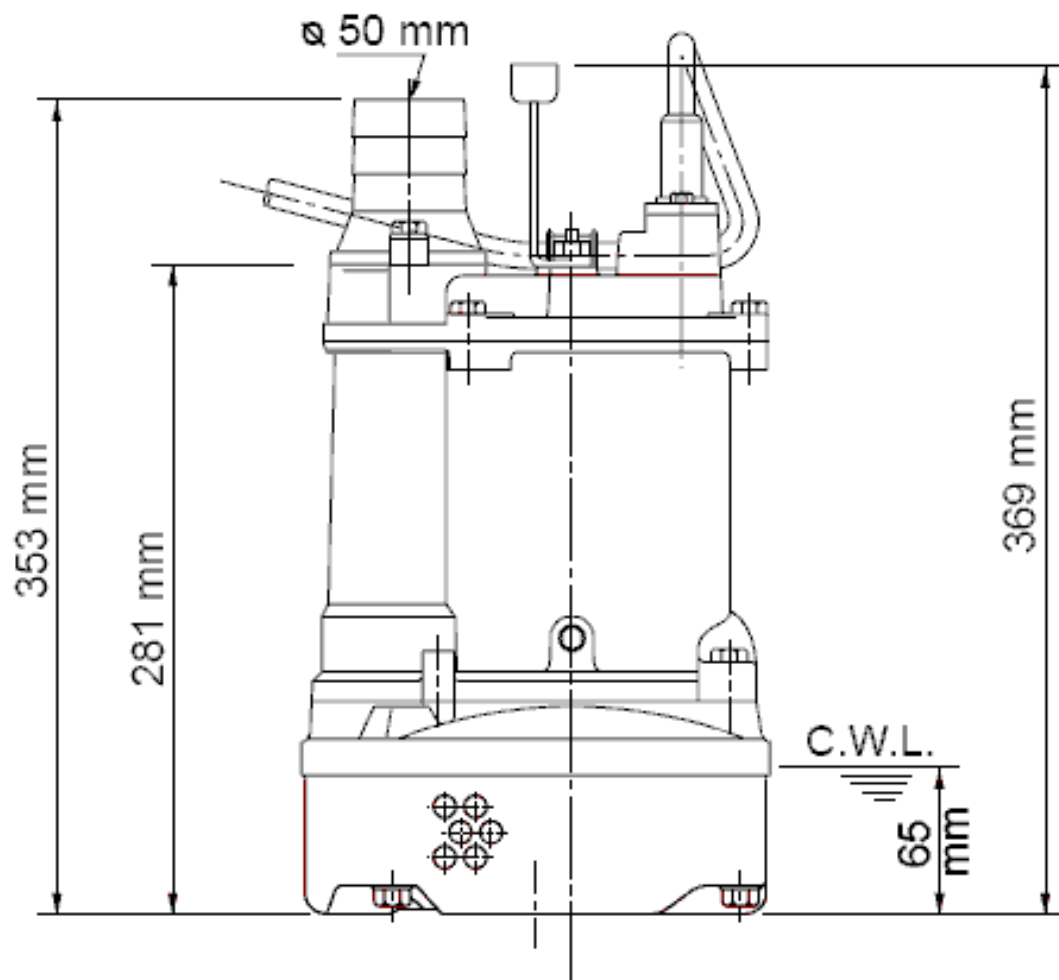
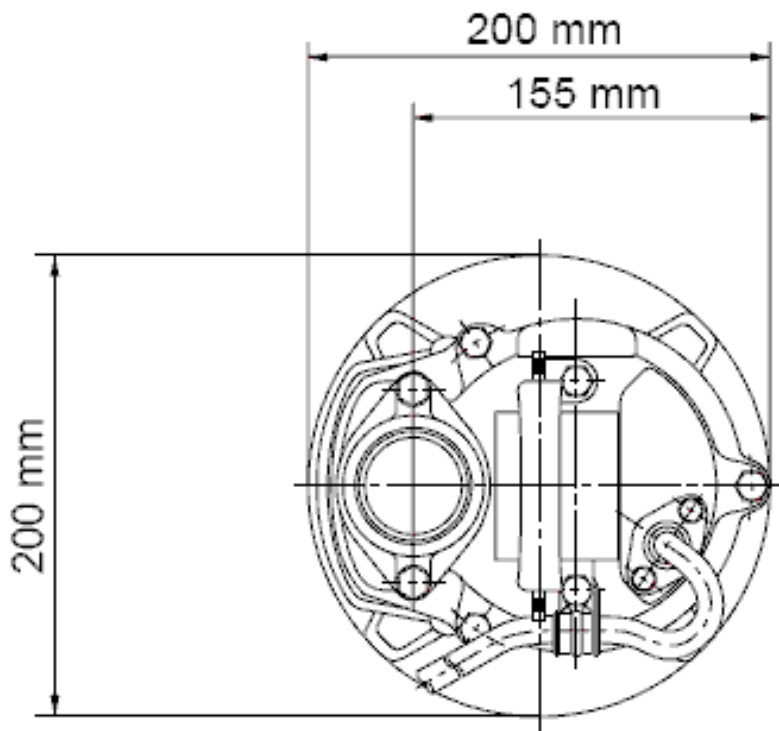
## KTV2-8

Discharge port	2"
Head	15,1 m
Flow	19,1 m <sup>3</sup> /h
Rated power	0,75 kW
Power input	1,16 kW
Phases	3~
Voltages	400 V
Frequency	50 Hz
Rated current	1,8 A
Starting current	9,00 A
Number of poles	2
Speed	2780 1/min
Starting mode	Direct starting
Insulation class	E



# Dimensions

## KTV2-8



## KTV2-8

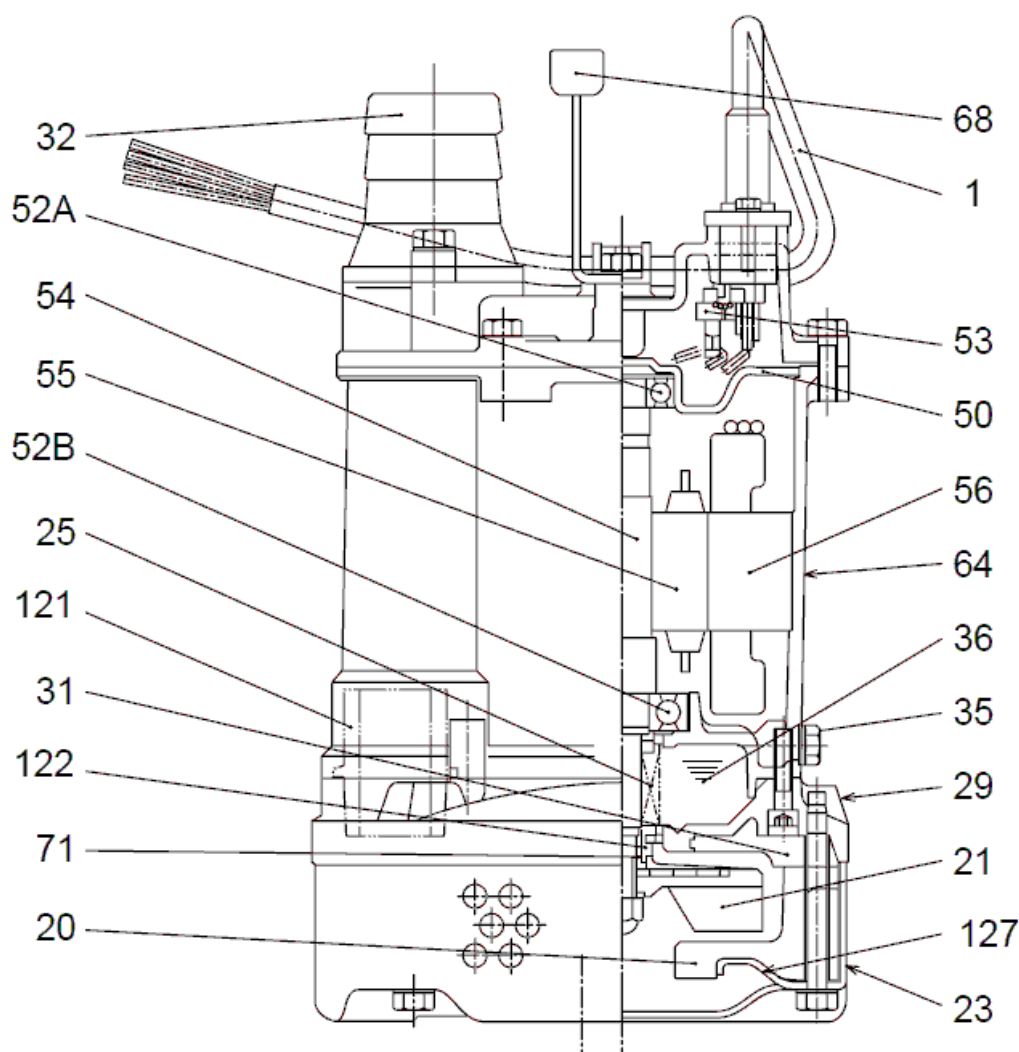
CWL: Continuous running water level  
LWL: Lowest running water level

 **TSURUMI PUMP**

Tsurumi Europe GmbH  
21.12.2016 V.20 / 1.11.2017

Wahlerstr. 10 \* 40472 Düsseldorf \* Germany  
Tel.: +49-211-4179373 sales@tsurumi.eu  
Fax: +49-211-417937-480 www.tsurumi.eu

# Sectional drawing KTV2-8



**KTV2-8**

No.	Description	Remark	No.	Description	Remark
1	Cable	10m NSSHÖU	56	Stator	.
20	Pump casing	Rubber	64	Motor Frame	Aluminium alloy casting
21	Impeller	Urethane rubber	68	Handle	Steel & rubber
23	Strainer	Steel plate	71	Shaft protection sleeve	SUS304 (EN-X5CrNi18-10)
25	Mechanical seal	W-14VL	121	Seal	Rubber
29	Oil casing	Aluminium alloy casting	122	V-ring	Nitrilkautschuk
31	Wear protection	Rubber	127	Pressure plate	Steel plate
32	Discharge coupling	Aluminium alloy casting			
35	Oil screw	SUS304 (EN-X5CrNi18-10)			
36	Lubricant	Turbine oil (ISO VG32)			
50	Motor cover	Aluminium alloy casting			
52A	Upper bearing	6203ZZC3			
52B	Lower bearing	6204ZZC3			
53	Motor Protector 380/400/415V-50Hz	KA314-HRXL00 (H.C)			
54	Shaft	SUS420J2 (EN-X30Cr13)			
55	Rotor	.			