

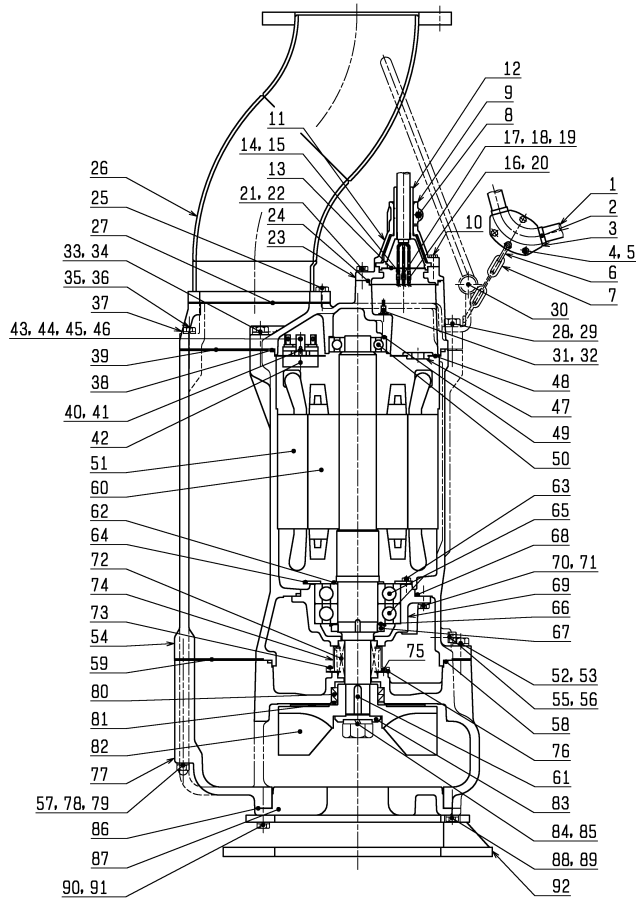
**KRSU822-51**

Kontroll-Nr. --

2020-01-24 V.01.02.2019

Pos.no	Item no.	Description	Quant.	UP
--------	----------	-------------	--------	----

KRSU822-51


**KRSU822-51**

Pos.no	Item no.	Description	Quant.	UP
1	M01-TEG-37	Cabletyre Cable Set (20m) NSSHOU 4Cx10mm <sup>2</sup>	1	
2	010-128-19	Cable Clip Rubber 75x80x2t NBR	1	
3	010-101-16	Cable Clip No.3 SPC	2	
4	140-035-14	Hex.Bolt M6x20 SUS304	3	
5	141-004-17	Hex.Nut M6 SUS304	3	
6	011-101-19	Shackle 6mm SS	2	
7	095-132-19	Chain 4mm SS	1	
8	140-035-14	Hex.Bolt M6x20 SUS304	2	
9	070-107-18	Cable Clamp FC	1	
10	140-055-10	Hex.Bolt M8x25 SUS304	4	
11	006-127-15	Stuffing Box 380/400/415V-50Hz(EUR,NSU) No.3 FC	1	
12	008-149-19	Mould Cover 380/400/415V-50Hz(EUR,NSU) KR3-11 CR	1	
13	007-105-10	Gasket No. 3	1	Price on req.
14	002-000-18	Heat Shrink Tube (Sold per meter) W3F2(3/4IN) (Vm)	1	Price on req.
15	200-000-23	Electrical tape(30M) 540S(0.18T-30Wx30M)	1	Price on req.
16	141-004-59	Hex.Nut M6 SWRM	4	
17	009-106-17	Terminal(EUR,NSU) R-8-6 CU	3	
18	009-107-18	Terminal R-14-6 CU	3	
19	009-106-17	Terminal(EUR,NSU) R-8-6 CU	1	
20	140-029-28	Hex.Bolt M6x10 SWRM	4	Price on req.
21	140-078-19	Hex.Bolt M10x30 SUS304	4	
22	142-164-19	Spring Washer M10 SUS304	4	
23	042-106-18	Stuffing Box Sheet 11KW FC	1	
24	122-135-19	O-Ring G-120(119.4xd3.1) NBR	1	
25	140-098-15	Hex.Bolt M12x35 SUS304	6	
26	037-000-86	Discharge Pipe 200mm(KRS) SS+SGP	1	Price on req.
27	121-144-18	Packing KRZ8(P.C.236xd190) NBR	1	
28	140-130-10	Hex.Bolt M16x70 SUS304 (EN X5Cr18-10)	4	
29	142-166-11	Spring Washer M16 SUS304	4	
30	068-000-41	Handle KRS819/22-51/61 SGP+SS	1	
	016-000-11	Handle Rubber (Handle 2nd) KRS819/22-51/61 NR	2	Price on req.
31	143-041-12	Pan Screw M6x8 SWRM	1	
32	009-106-17	Terminal(EUR,NSU) R-8-6 CU	1	
33	140-127-14	Hex.Bolt M16x55 SUS304 (EN X5CrNi18-10) Stainless Steel	1	
34	142-166-11	Spring Washer M16 SUS304	1	
35	140-101-12	Hex.Bolt M12x50 SUS304 (EN X5CrNi18-10) Stainless Steel	2	
36	142-165-10	Spring Washer M12 SUS304	2	
37	050-001-08	Motor Bracket FC	1	
38	122-160-13	O-Ring (M.Bracket/M.Frame) G-290(289.3xd5.7) NBR	1	
39	121-001-44	Packing (Water Wav. Upp.) KRS819/22-51/61 SBR	1	Price on req.

**KRSU822-51**

Kontroll-Nr. --

2020-01-24 V.01.02.2019

Pos.no	Item no.	Description	Quant.	UP
40	143-032-10	Pan Screw M5x16 SWRM	2	Price on req.
41	142-112-25	Plain Washer M5 SPC	2	
42	053-285-18	Motor Protector KA315-JNAL00	1	Price on req.
43	141-004-59	Hex.Nut M6 SWRM	3	
44	142-000-30	Spring Washer M6 SWRM	3	
45	009-107-18	Terminal R-14-6 CU	3	
46	140-030-35	Hex.Bolt M6x12 SWRM	3	
47	016-000-04	Lead Wire Protection Bush d21xd52x11t SBR	2	
48	058-000-38	Lead Wire Protection Plate d114xd290x1t SPCC	1	
49	142-000-70	Wave Washer d83xd99x0.9t SK5	1	
50	052-112-10	Bearing 6309ZZC3	1	
51	056-	Stator	1	Price on req.
52	140-126-13	Hex.Bolt M16x50 SUS304 (EN X5CrNi18-10) Stainless Steel	4	
53	142-166-11	Spring Washer M16 SUS304	4	
54	064-001-22	Motor Frame FC	1	
55	035-113-18	Oil Plug M12x14 SUS304	2	
56	121-247-12	Packing d12.3xd18x2t PE	2	
57	144-	Stud Bolt	2	Price on req.
58	122-161-14	O-Ring G-300 NBR	1	
59	121-001-41	Packing (Water Way, Low.) KRS819/822-51/61 NBR	1	Price on req.
60	055-002-80	Rotor	1	Price on req.
61	147-057-13	Impeller Key 12x8x50L SUS420	1	
62	061-000-17	Slinger d90xd70x3t SPCC	1	
63	140-054-48	Hex.Bolt M8x20 SWRM	4	
64	062-000-21	Bearing Fixing Plate d130xd190x4.5t SS	1	
65	052-145-12	Bearing 6314ZZD2C3	1	
66	142-247-17	Bearing Washer AW14 SPCC	1	
67	141-079-13	Bearing Nut AN14 SS	1	
68	122-151-11	O-Ring G-205 (NBR)	1	
69	060-001-74	Bearing Housing FC	1	
70	142-164-35	Spring Washer M10 SWRH	4	Price on req.
71	140-076-33	Hex.Bolt M10x30 SWRM	4	
72	025-000-62	Mechanical Seal H-45X(E) SIC	1	
73	143-070-23	Pan Screw M5x6 SWRM	2	
74	030-140-19	Oil Lifter H-45 Resin	1	
75	143-070-10	Pan Screw M5x6 SWRM	3	
76	030-149-18	Seal Stopper H-40/45 SPCC	1	
77	020-	Pump Casing	1	Price on req.
78	142-165-10	Spring Washer M12 SUS304	2	
79	141-032-14	Hex.Cap Nut M12 SUS304	2	
80	026-117-14	Oil Seal TC-709212 NBR	2	
81	040-111-12	Impeller Shim d42.5xd59x0.3t SUS304 (EN X5CrNi18-10) Stainless Steel	1	
82	021-	Impeller	1	Price on req.
83	142-	Washer	1	Price on req.
84	142-171-19	Spring Washer M30 SUS304	1	
85	141-012-18	Hex.Nut M30 SUS304 (EN X5CrNi18-10) Stainless Steel	1	
86	120-102-11	Packing (S.Cover) d301xd328x0.3t PE	1	
87	022-	Suction Cover	1	Price on req.
88	142-165-10	Spring Washer M12 SUS304	3	
89	140-098-15	Hex.Bolt M12x35 SUS304	3	
90	142-165-10	Spring Washer M12 SUS304	3	
91	140-100-11	Hex.Bolt M12x45 SUS304	3	
92	023-	Strainer	1	Price on req.
	##oilVG32	ml Turbine Oil ISO VG32	6500	Price on req.