

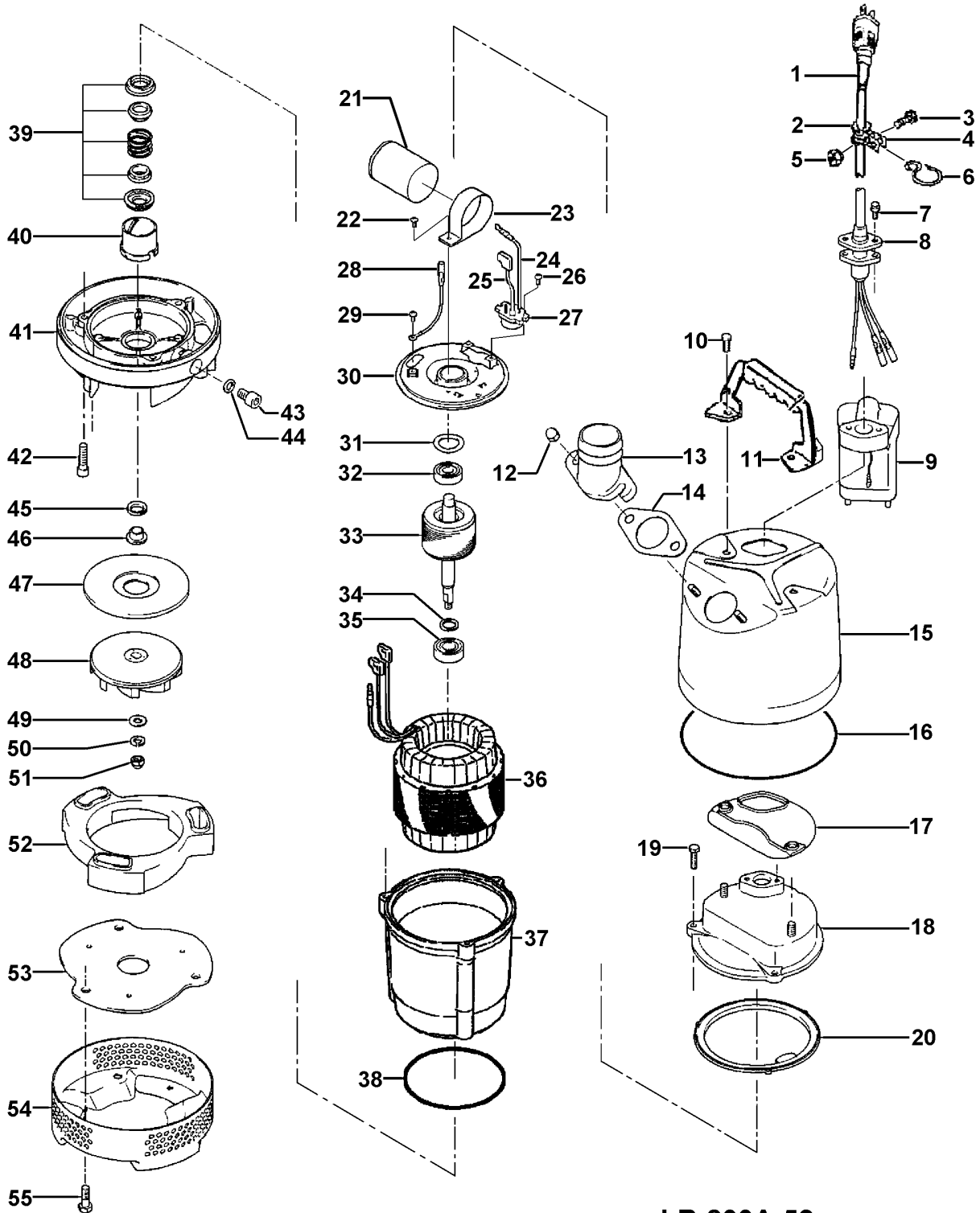
LB-800A-52

Kontroll-Nr. --

2016-01-31 V.18 / 1.10.2015

LB-800A-52			
Item	Item no.	Description	Quant.
1	001-007-44	Cable Set (10m) 220/230/240V-50Hz(EUR) H07R-F3Cx1mm2 LBD(HAR)	1
2	010-162-15	Cable Clip Rubber 220/230/240V-50Hz(EUR) LB2-400 NBR	1
3	140-015-21	Hex.Bolt M5x10 SWRM	1
4	010-105-10	Cable Clip SB SPC	1
5	141-003-58	Hex.Nut M5 SWRM	1
6	011-100-18	Shackle S-8 SS	1
7	140-446-12	Hex.Bolt (w/Plain Washer) M5x38 SUS304 (EN X5CrNi18-10) Stainless Steel	2
8	003-190-10	Gland SUS316 (EN X5Cr-Ni-Mo17-12-2)	1
9	114-000-94	Relay Unit EL-2 Type(200V)	1
10	140-503-18	Hex.Bolt (w/Plain Washer) M8x16 SUS304 (X5CrNi18-10) Stainless Steel	2
11	068-289-18	Handle LBA3-250/480 (SPC+NBR)	1
12	141-144-10	Flanged Hex. Nut M8 SUS304 (EN X5CrNi18-10) Stainless Steel	2
13	032-000-23	Hose Coupling (for EUR) BSPT-2, LB-480 ADC	1
	181-001-18	Hose Band 55mm(d50) SUP	1
14	121-587-17	Packing LB-250/480-51/61 NBR	1
15	065-000-22	Outer Cover SPC	1
16	122-453-16	O-Ring 172xd2.7 NBR	1
17	121-434-18	Packing LB3-250/480 Synthetic Rubber	1
18	051-000-55	Head Cover ADC	1
19	140-396-16	Hex.Bolt (w/Plain Washer) M6x20 SUS304 (EN X5CrNi18-10) Stainless Steel	3
20	121-546-14	Packing d120xd142x6.2t NBR	1
21	076-000-49	Capacitor 220/230/240V-50Hz(EUR) 15MF-450VAC(f45x70L)	1
22	143-085-21	Pan Screw (w/Spring Washer) M4x6 SWRM	1
	143-086-22	Pan Screw (w/Spring Washer) M4x8 SWRM	1
	127-001-00	Capacitor Fixing Plate 220/230/240V-50Hz d45(1.0t) SPC	1
23	127-000-96	Capacitor Fixing Plate 220/230/240V-50Hz d45 SPC	1
24	009-001-03	Intermediate Lead Wire AWG16x160(red)	1
25	009-001-42	Intermediate Lead Wire AWG16x80(Indigo)	1
26	143-000-43	Truss Screw M4x8 SWRM	2
27	053-002-04	Motor Protector 220/230/240V-50Hz(EUR) KA142-LYT01F (T.C)	1
28	009-001-02	Earth Terminal UL1015-AWG18, G/Y, L=160	1
29	143-203-14	Pan Screw M4x5	1
30	050-000-61	Motor Bracket SECD	1
31	142-000-41	Wave Washer #6201(T=0.4) (S65CM)	1
32	052-100-15	Bearing 6201ZZC3	1
33	055-002-98	Rotor w/Bearing	1
34	061-180-17	Bearing Collar d15.1xd20x1.6t SS	1
35	052-152-12	Bearing 6302ZZC3	1
36	056-008-27	Stator 220/230/240V-50Hz(EUR)	1
37	064-001-27	Motor.Frame ADC	1
38	122-133-17	O-Ring G-110 NBR	1
39	025-291-10	Mechanical Seal W-14VL SiC+CCBN	1
40	030-000-09	Oil Lifter W-14VL Resin	1
41	029-000-72	Oil Casing LB-750-51/61 ADC	1
42	140-252-19	Hex.Socket Cap Bolt M6x20 SUS304 (EN X5CrNi18-10)	3
43	035-124-12	Oil Plug M10x15 SUS304 (EN X5CrNi18-10)	1
44	121-246-11	Packing (Oil Plug) d10.3xd16x2t PE	1
45	122-441-11	V-Ring VR-14 NBR	1
46	071-292-14	Shaft Sleeve LB3-250/480 SUS304 (EN X5CrNi18-10) Stainless Steel	1
47	031-000-12	Wear Ring LSC1.4S-51/61 SPC+Urethane Rubber	1
48	021-007-52	Impeller (50Hz) 50Hz Urethane Rubber	1
49	142-127-10	Plain Washer M8 SUS304 (EN X5CrNi18-10) Stainless Steel	1
50	142-163-18	Spring Washer M8 SUS304 (EN X5Cr18-10)	1
51	141-030-12	Hex.Cap Nut M8 SUS304 (EN X5CrNi18-10) Stainless Steel	1
52	020-000-43	Pump Casing LB-750 BR+NR	1
53	022-001-27	Suction Cover LB-750 SPC	1
54	023-547-18	Strainer Stand LB-250/480-51/61 SPC	1
55	140-000-14	Hex.Bolt (w/Plain Washer) M8x20 SUS304 (EN X5CrNi18-10) Stainless Steel	3
	##oilVG32	ml Turbine Oil ISO VG32	155
	090-126-15	Electrode Extension KTVE/KTZE	1

Exploded View LB-800A-52



LB-800A-52