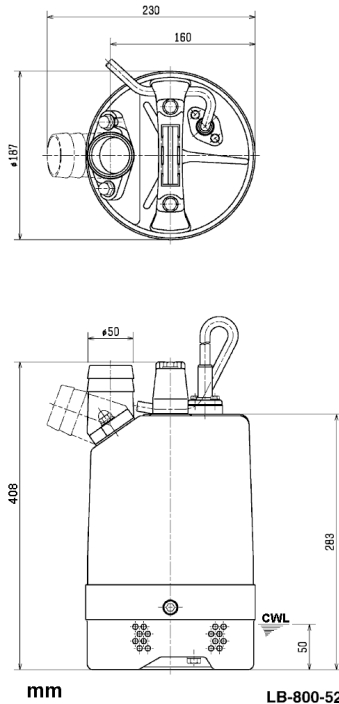
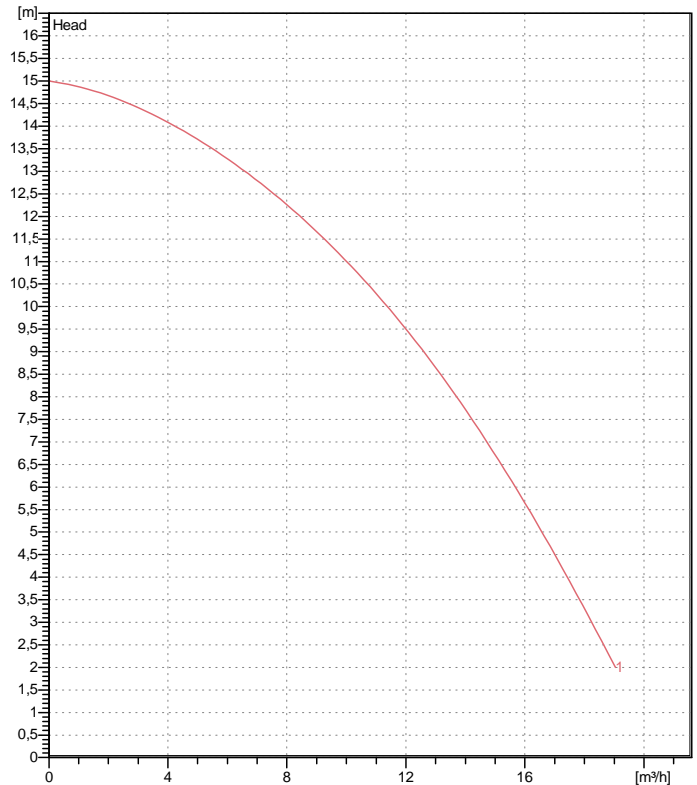


Data sheet LB-800-52



CWL: Continuous running water level



Specification

Electric submersible pump
 Degree of protection IP 68
 Depth of submersion max. 10 m
 Type of impeller semi-vortex
 Max. solid handling 6 mm
 Suitable for:
 spring-/rain-/font water, water containing sand

Electric motor

Dry-type submersible induction motor
 Insulation class E 2Poles 2730 1/min
 Starting mode Directly
 Rated voltage 230 V 50 Hz 1~
 Power uptake 1,13 kW
 Rated power 0,75 kW
 Rated current 5 A
 Start current 12,3 A

Cable

10m H07RN-F 3Cx1mm²

Motor Protection

Circle thermal protector
 (snap-action bi-metal device)

Shaft seal

Double inside mechanical seal in oil bath
 additional lubrication by oil lifting device

Primary seal
 Silicon carbide on silicon carbide
 Secondary seal
 Carbon on ceramic

Bearings

Shielded ball bearings, maintenance-free

Materials

Impeller	Urethane rubber
Pump casing	BR + Natural Rubber
Motor Frame	Aluminium die casting
Shaft	SUS403 (EN-X6Cr13)

Discharge size

2" (50mm) BS-Coupling (threaded flange)

Weight

13,1 kg (dry weight of the pump only without cable)

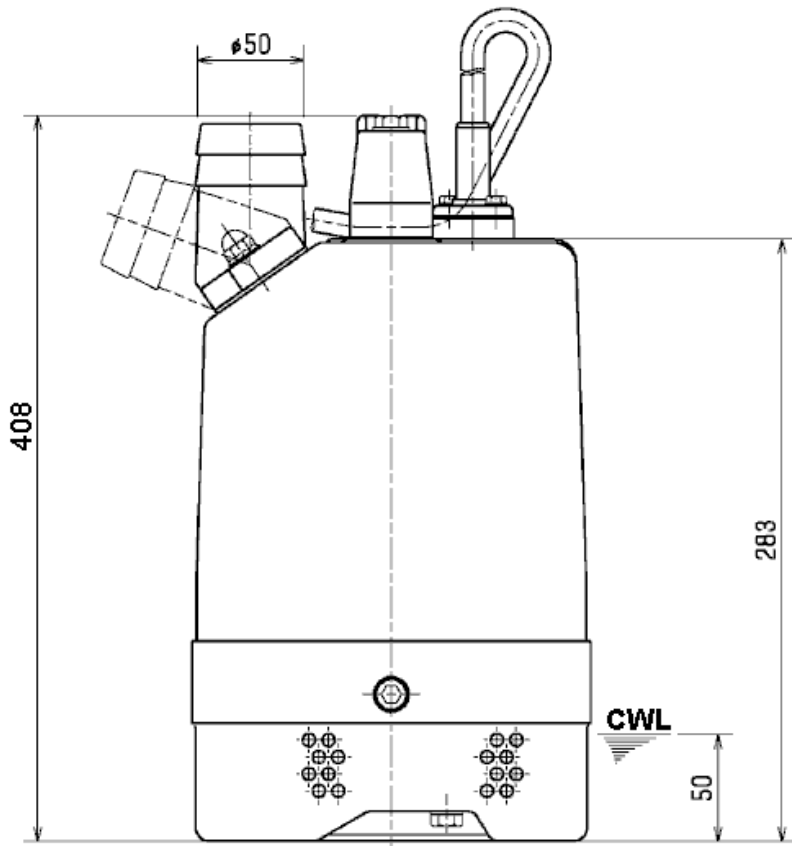
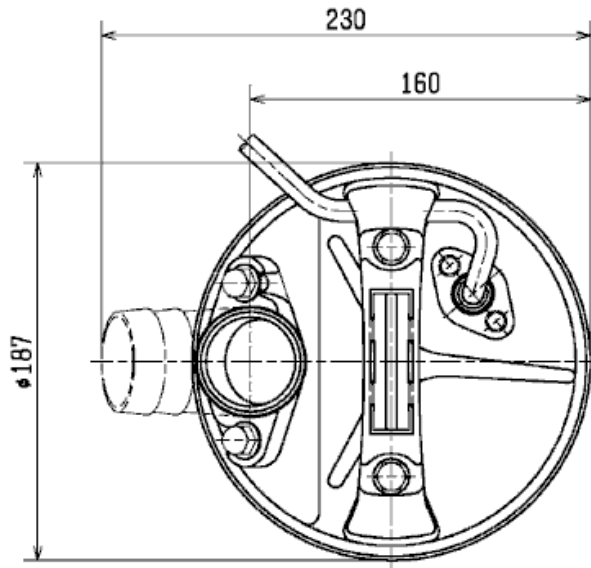
Performance curve LB-800-52

Discharge port	2"
Head	15,0 m
Flow	19,0 m ³ /h
Rated power	0,75 kW
Power input	1,13 kW
Phases	1~
Voltages	230 V
Frequency	50 Hz
Rated current	5 A
Starting current	12,30 A
Number of poles	2
Speed	2730 1/min
Starting mode	Directly
Insulation class	E



Dimensions

LB-800-52



mm

LB-800-52

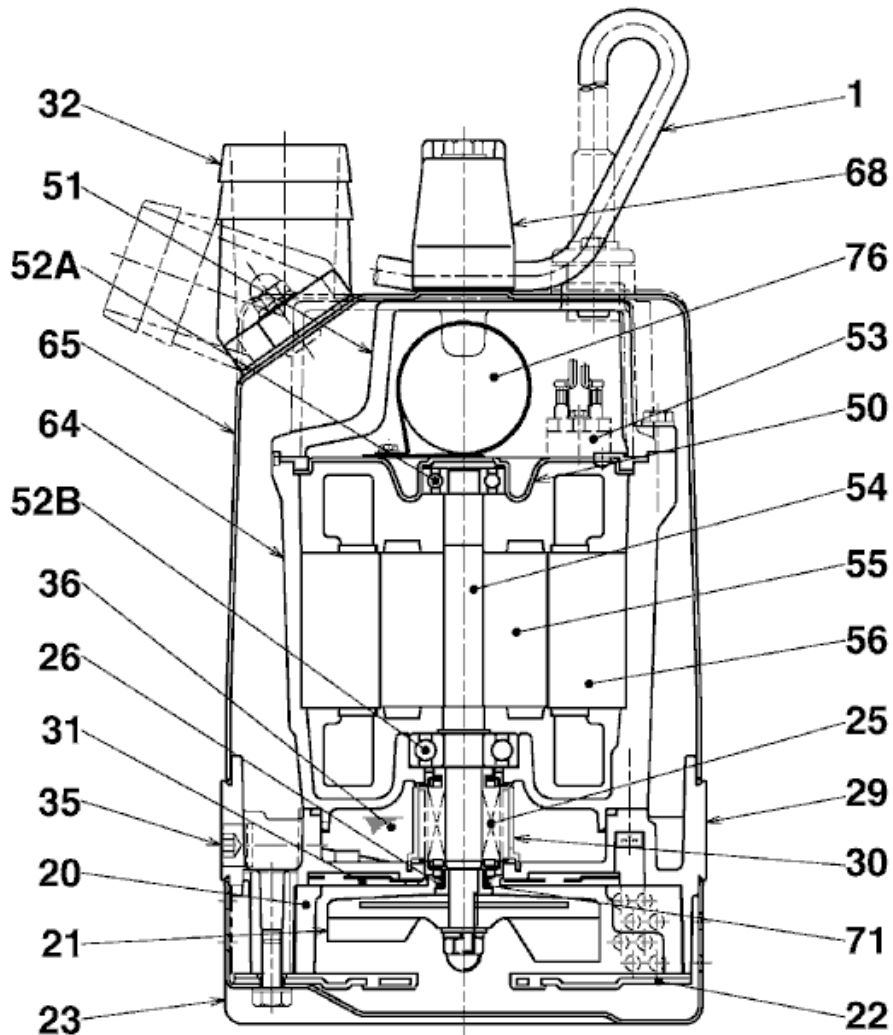
CWL: Continuous running water level
LWL: Lowest running water level

 **TSURUMI PUMP**

Tsurumi Europe GmbH
27.01.2016 V.18 / 1.10.2015

Heltorfer Str. 14 * 40472 Düsseldorf * Germany
Tel.: +49-211-4179373 sales@tsurumi.eu
Fax: +49-211-417937-480 www.tsurumi.eu

Sectional drawing LB-800-52



LB-800-52

No.	Description	Remark	No.	Description	Remark
1	Cable	H07RN-F	52B	Lower bearing	6202ZZC3
20	Pump casing	BR + Natural Rubber	53	Miniature protector	.
21	Impeller	Urethane rubber	54	Shaft	SUS403 (EN-X6Cr13)
22	Suction cover	Steel plate + Urethane rubber	55	Rotor	.
23	Strainer	Steel plate	56	Stator	.
25	Mechanical seal	W-14VL	64	Motor Frame	Aluminium die casting
26	V-ring	NBR	65	Outer Cover	Steel plate
29	Oil casing	Aluminium alloy casting	68	Handle	Plastic
30	Oil distributor	Plastic	71	Shaft protection sleeve	SUS304 (EN-X5CrNi18-10)
31	Attrition plate	Urethane rubber	76	Condenser	.
32	Discharge coupling	Aluminium die casting			
35	Oil screw	SUS304 (EN-X5CrNi18-10)			
36	Lubricant	Turbine oil (ISO VG32)			
50	Main cover	Steel plate			
51	Main cover	Aluminium die casting			
52A	Upper bearing	6201ZZC3			