

**KTZ67.5-53**

Kontroll-Nr. --

2016-01-31 V.18 / 1.10.2015

KTZ67.5-53			
Item	Item no.	Description	Quant.
1	140-080-14	Hex.Bolt M10x45 SUS304 (EN X5CrNi18-10)	4
2	142-164-19	Spring Washer M10 SUS304 (EN X5CrNi18-10)	4
3	070-117-11	L-Shape Fitting 40x25x4.5t d13Hole SPC	1
4	068-000-31	Handle SGP+SS	1
5	010-122-10	Cable Clip Rubber No.2 NBR	1
6	010-120-18	Cable Clip No.2-1 SPC	1
7	141-004-59	Hex.Nut M6 SWRM	1
8	140-032-37	Hex.Bolt M6x15 SWRM	1
9	095-131-18	Chain d4(3-Link) SS	1
10	011-110-11	Shackle 6mm SS	1
11	001-TEG-03	Cabletyre Cable Set (20m) H07RN-F4Cx4mm² without stuffing box	1
11	M01-TEG-03	Cabletyre Cable Set (20m) NSSHÖU 4Cx4mm²	1
12	140-060-18	Hex.Bolt M8x50 SUS304	4
13	006-167-17	Stuffing Box No.1-3 FC	1
14	122-121-12	O-Ring G-50 NBR	1
15	004-168-12	Cable Bush No.2 CR	1
16	008-156-19	Mould Cover No.1-3 ADC	1
17	009-125-12	Terminal E (Small) CU	4
18	009-101-12	Terminal (C/W Screw) d12x(d6.6xd6.6)x25l BSBM	4
19	009-123-10	Terminal P-5.5 CU	4
20	002-135-14	Heat Shrink Tube (Sold per meter) A(d15x0.3t) (Vm)	1
21	002-132-11	Heat Shrink Tube (Sold per meter) A4(d17x0.3t) (Vm)	1
22	140-000-87	Hex.Bolt M10x35(B-14) SUS304 (EN-X5CrNi18-10)	4
23	142-128-24	Plain Washer M10 Kaltgewalztes Blech	4
24	032-000-96	Hose Coupling (for EUR) KTZ67.5-53/63(Angle,BSPT-6) FC	1
24	032-000-95	Hose Coupling KTZ67.5/611-53/63(Angle) ADC	1
25	121-001-48	Packing (Hose Coupling) KTZ-3.7/7.5(Angle) NBR	1
26	050-001-11	Motor Bracket FC	1
27	140-288-14	Hex. Socket Cap Bolt M10x35 SUS304 (EN X5CrNi18-10) Stainless Steel	1
28	142-164-19	Spring Washer M10 SUS304 (EN X5CrNi18-10)	1
29	122-000-09	O-Ring 195xd3.8 NBR	1
30	053-000-16	Motor Protector 380-420V-50HZ 380-460V-60HZ KA314-HKBL00 (B.C)	1
31	143-126-12	Pan Screw (w/Spring Washer/Plain Washer) M4x12 SWRM	2
32	009-295-14	Earth Terminal 5.5mmx170L	1
33	143-085-21	Pan Screw (w/Spring Washer) M4x6 SWRM	1
34	142-197-11	Wave Washer #6305 SK-5	1
35	052-108-13	Bearing 6305ZZC3	1
36	122-244-12	O-Ring 61.4xd3.1 NBR	1
37	058-000-35	Lead Wire Protection Plate d84xd199.5x1.6t PE	1
38	055-002-60	Rotor	1
39	147-139-10	Impeller Key 7x7x28L SUS420 (EN X20Cr13) Stainless Steel	1
40	056-007-33	Stator 380/400/415V-50Hz(EUR)	1
41	121-000-14	Packing (Water Way, Upp.) KTZ35.5/67.5-51/61 NBR	1
42	064-001-31	Motor Frame FC	1
43	140-080-14	Hex.Bolt M10x45 SUS304 (EN X5CrNi18-10)	4
44	142-164-19	Spring Washer M10 SUS304 (EN X5CrNi18-10)	4
45	140-000-06	Hex.Bolt (w/Spring Washer/Plain Washer) M6x12 SWCH	4
46	052-112-10	Bearing 6309ZZC3	1
47	122-285-15	O-Ring 155xd3.1 NBR	1
48	060-001-39	Bearing Housing FC	1
49	140-269-19	Hex. Socket Cap Bolt M8x25 SUS304 (EN X5CrNi18-10) Stainless Steel	4
50	025-000-50	Mechanical Seal H-30T SiC	1
51	143-070-23	Pan Screw M5x6 SWRM	2
52	030-142-11	Oil Lifter H-30(A)(T) Resin	1
53	143-070-10	Pan Screw M5x6 SWRM	6
54	030-147-16	Seal Stopper HT-3035 SPCC	1
55	122-285-15	O-Ring 155xd3.1 NBR	1
56	121-502-18	Packing (Water Way, Low.) KTZ47.5/67.5 NBR	1
57	029-333-17	Oil Casing KTZ47.5/611 FC	1
58	142-163-18	Spring Washer M8 SUS304 (EN X5Cr18-10)	4
59	140-055-10	Hex.Bolt M8x25 SUS304 (EN X5CrNi18-10)	4
60	035-113-18	Oil Plug M12x14 SUS304 (EN X5Cr18-10)	1
61	121-247-12	Packing (Oil Plug) d12.3xd18x2t PE	1
62	071-198-19	Shaft Sleeve d25xd35x17l SUS403 (EN X6Cr13) Stainless Steel	1
63	020-001-05	Pump Casing KTZ47.5/67.5 FC	1
64	142-164-19	Spring Washer M10 SUS304 (EN X5CrNi18-10)	2
65	140-448-14	Hex.Bolt M10x150 SUS304 (EN X5CrNi18-10) Stainless Steel	2
66	122-360-15	O-Ring 46.5xd2.5 NBR	1
67	026-238-12	Labyrinth Ring GHV/GHZ-7.5/11KW SUS304 (EN X5CrNi18-10) Stainless Steel	1
68	040-107-28	Impeller Shim d25.2xd38x0.3t SUS304 (EN X5CrNi18-10)	1
69	021-K88-19	Impeller (50Hz) 50Hz HiCrFC	1
70	047-105-14	Impeller Thread Protect.Cover No.4(22) SPC	1
71	141-009-38	Hex.Nut M20(H=12) SUS304 (EN X5CrNi18-10) Stainless Steel	1
72	141-034-16	Hex.Cap Nut M20 SUS304 (EN X5CrNi18-10) Stainless Steel	1
73	120-111-13	Packing (S.Cover) d221xd268x0.3t PE	1
74	022-000-57	Suction Cover KTZ67.5/611 (FCD)	1
75	142-128-24	Plain Washer M10 Kaltgewalztes Blech	3
76	140-075-16	Hex.Bolt M10x25 SUS304	3
77	142-128-24	Plain Washer M10 Kaltgewalztes Blech	3
78	144-000-57	Stud Bolt M10x124(14/26) SUS403 (EN X6Cr13) Stainless Steel	3
79	023-252-13	Strainer KTV-75/110 SPC	1
80	049-133-20	Bottom Plate KRS-C3/A3 SPC	1

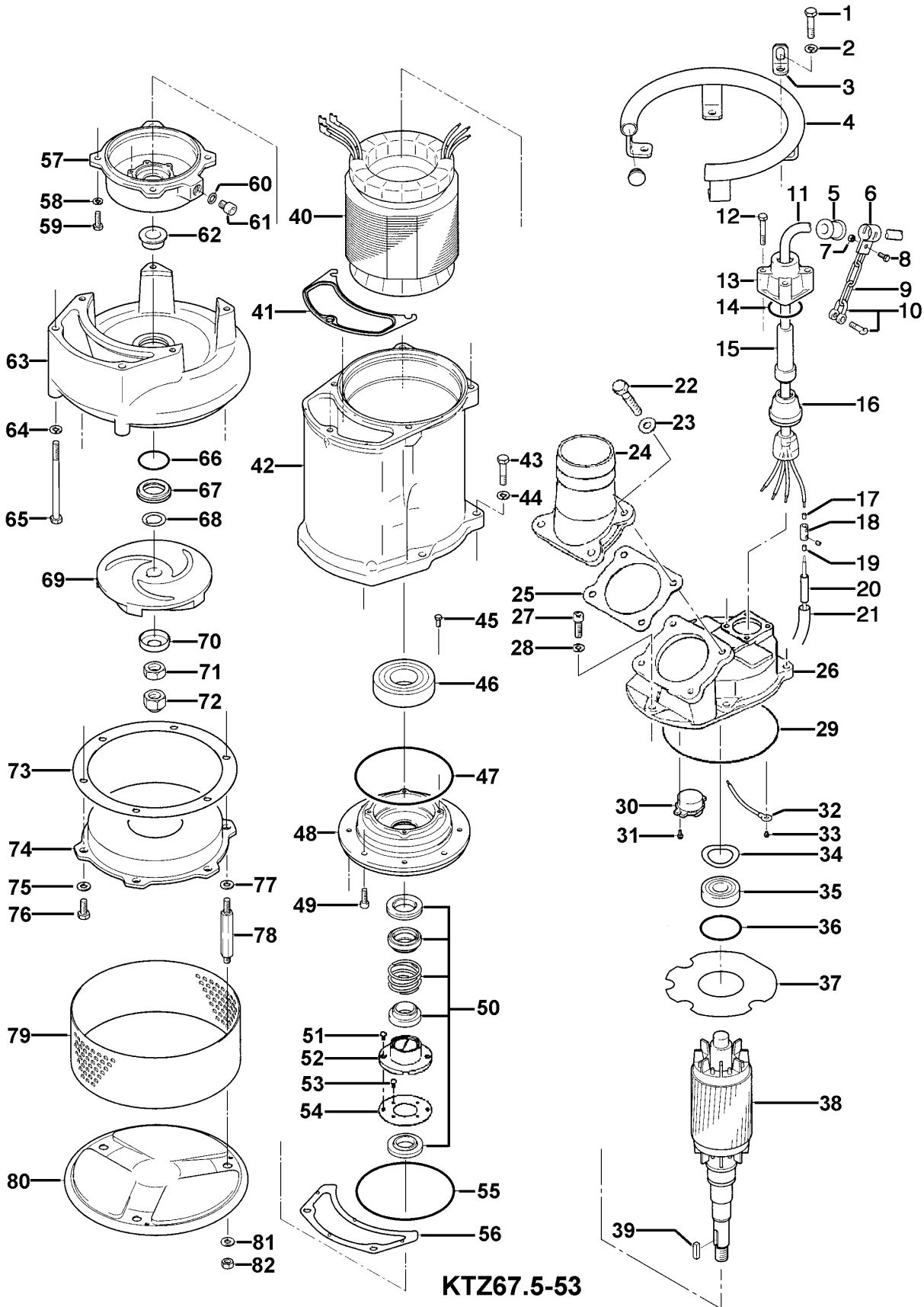
KTZ67.5-53

Kontroll-Nr. --

2016-01-31 V.18 / 1.10.2015

KTZ67.5-53			
Item	Item no.	Description	Quant.
81	142-128-24	Plain Washer M10 Kaltgewalztes Blech	3
82	141-006-77	Hex.Nut M10 S45C	3
	173-003-42	Packing & O-Ring Set	1
	183-009-12	"Impeller Puller "A Type No.4 1"1/4" "	1
	##oilVG32	ml Turbine Oil ISO VG32	760

# Exploded View KTZ67.5-53



KTZ67.5-53