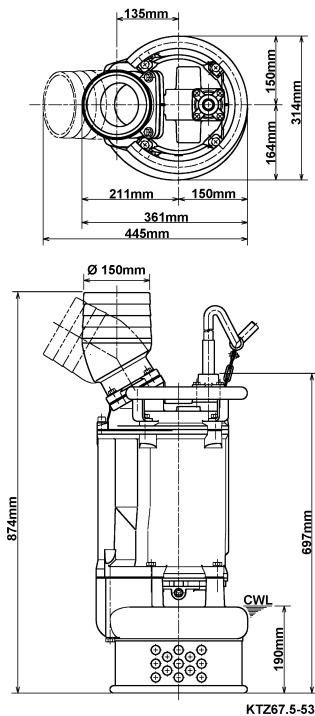
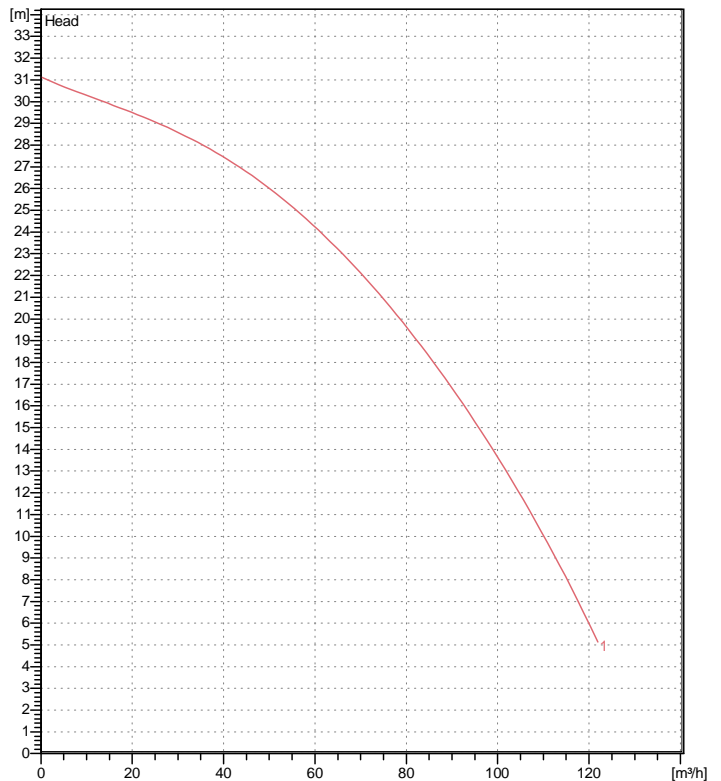


Data sheet KTZ67.5-53



KTZ67.5-53

CWL: Continuous running water level



Specification

Electric submersible pump
 Degree of protection IP 68
 Depth of submersion max. 25 m
 Type of impeller Semi-open
 Max. solid handling 20 mm
 Suitable for:
 spring-/rain-/waste-/ground water, water containing sand

Electric motor

Dry-type submersible induction motor
 Insulation class F 2Poles 2945 1/min
 Starting mode Directly
 Rated voltage 400 V 50 Hz 3~
 Power uptake 9,19 kW
 Rated power 7,50 kW
 Rated current 15,1 A
 Start current 117,9 A

Cable

20m NSSHÖU 4Cx4mm²

Motor Protection

Circle thermal protector
 (snap-action bi-metal device)

Shaft seal

Double inside mechanical seal in oil bath
 additional lubrication by oil lifting device
 Primary seal
 Silicon carbide on silicon carbide
 Secondary seal
 Silicon carbide on carbon

Bearings

Shielded ball bearings, maintenance-free

Materials

Impeller	Chromium Iron HiCrFC
Pump casing	FC200 (EN-GJL-200)
Suction cover	FCD50 (EN-GJS-500-7)
Motor Frame	FC150 (EN-GJL-150)
Shaft	SUS420J2 (EN-X30Cr13)

Discharge size

6" (150mm) BS-coupling (threaded flange)

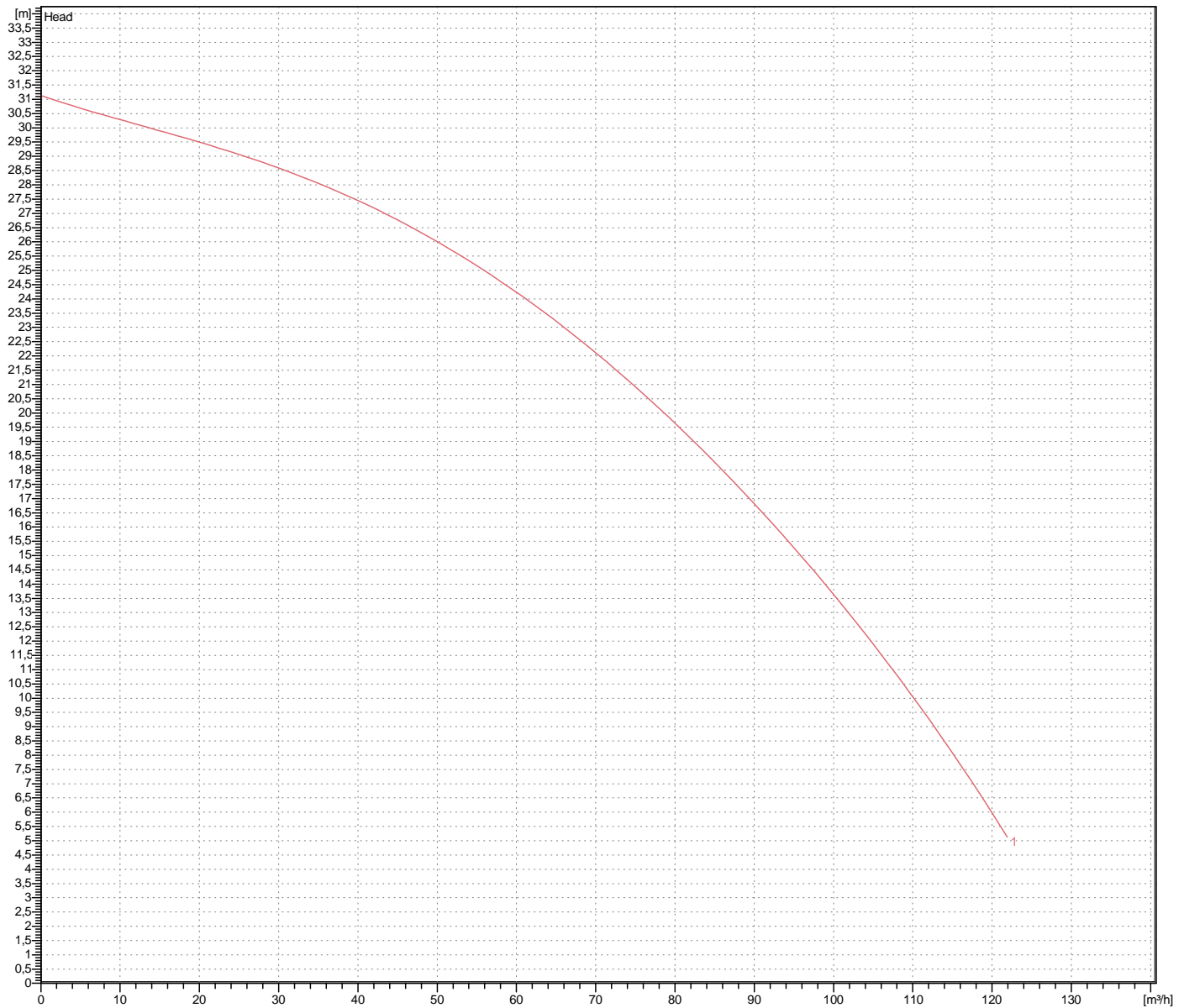
Weight

99 kg (dry weight of the pump only without cable)

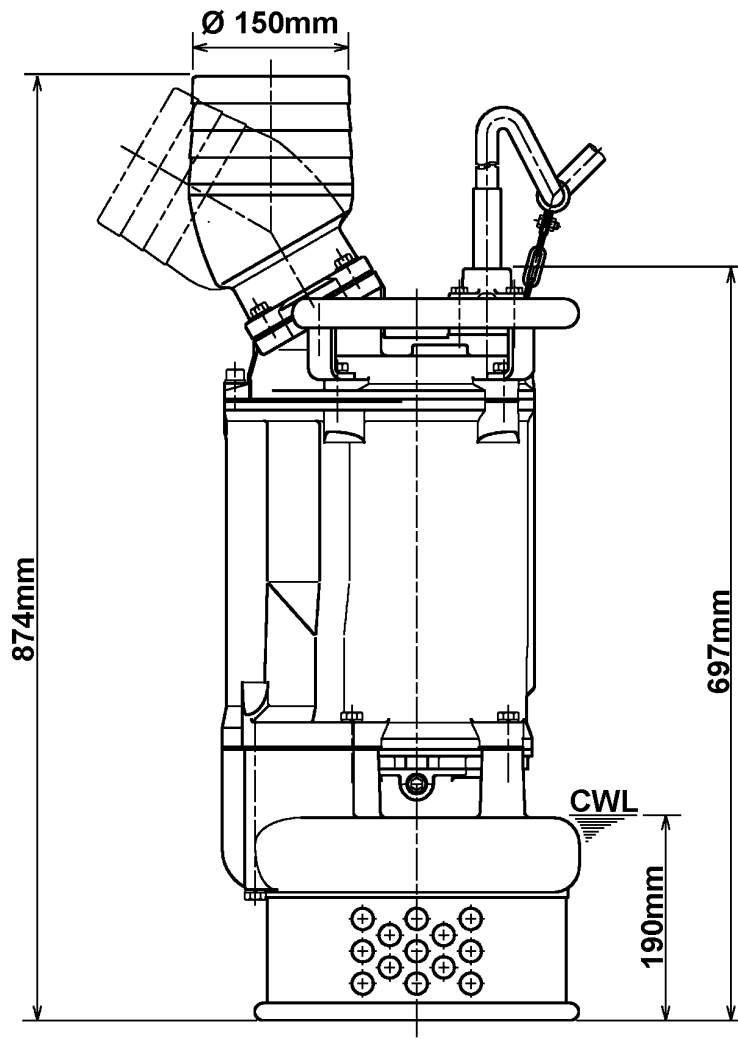
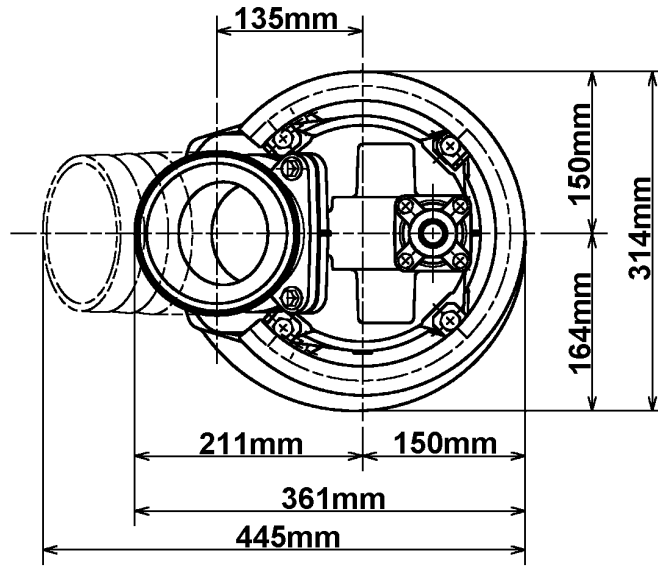
Performance curve

KTZ67.5-53

Discharge port	6"
Head	31,1 m
Flow	121,9 m ³ /h
Rated power	7,50 kW
Power input	9,19 kW
Phases	3~
Voltages	400 V
Frequency	50 Hz
Rated current	15,1 A
Starting current	117,93 A
Number of poles	2
Speed	2945 1/min
Starting mode	Directly
Insulation class	F



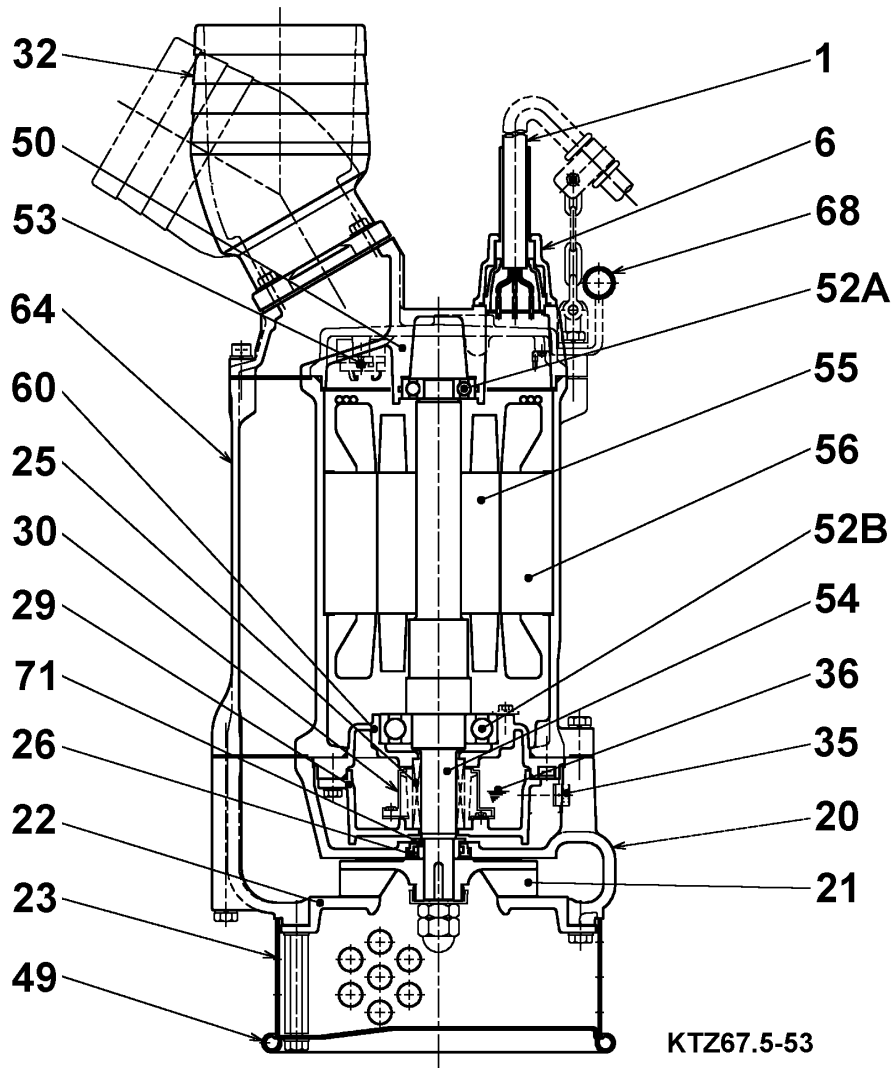
Dimensions KTZ67.5-53



KTZ67.5-53

CWL: Continuous running water level
LWL: Lowest running water level

Sectional drawing KTZ67.5-53



KTZ67.5-53

No.	Description	Remark	No.	Description	Remark
1	Cable	20m NSSHÖU	52B	Lower bearing	6309ZZC3
6	Stuffing box	FC200 (EN-GJL-200)	53	Motor Protector 380/400/415V	50Hz KA314-HRXL00 (H.C)
20	Pump casing	FC200 (EN-GJL-200)	54	Shaft	SUS420J2 (EN-X30Cr13)
21	Impeller	Chromium Iron HiCrFC	55	Rotor	.
22	Suction cover	FCD50 (EN-GJS-500-7)	56	Stator	.
23	Strainer	Steel plate	60	Bearing Housing	FC150 (EN-GJL-150)
25	Mechanical seal	HT-3035N	64	Motor Frame	FC150 (EN-GJL-150)
26	Labyrinth ring only	SUS304 (EN-X5CrNi18-10)	68	Handle	steel pipe / Sectional steel
29	Oil casing	FC200 (EN-GJL-200)	71	Shaft protection sleeve	SUS403 (EN-X6Cr13)
30	Oil distributor	Plastic			
32	Discharge coupling	Aluminium alloy casting			
35	Oil screw	SUS304 (EN-X5CrNi18-10)			
36	Lubricant	Turbine oil (ISO VG32)			
49	Bottom Plate	Steel plate			
50	Main cover	FC150 (EN-GJL-150)			
52A	Upper bearing	6305ZZC3			