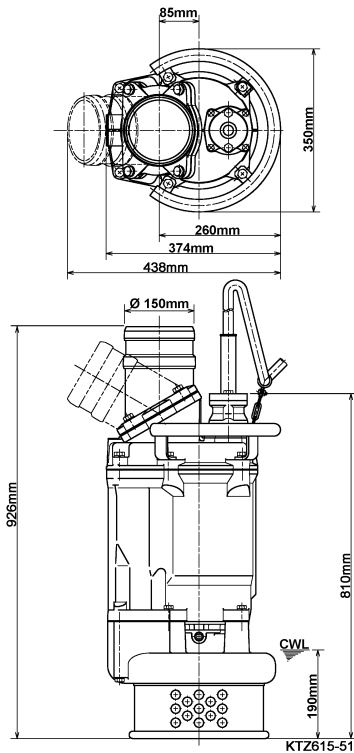
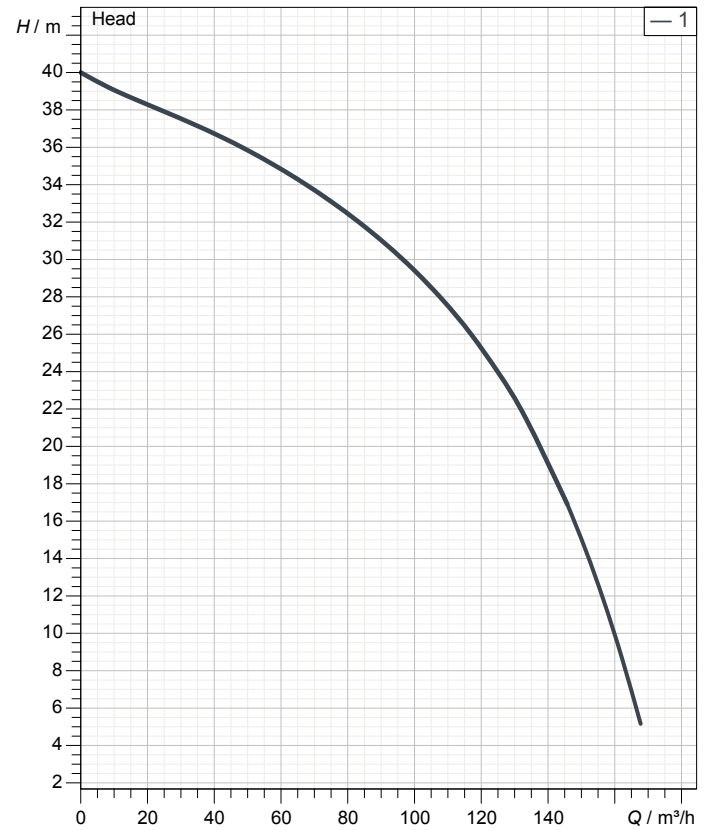


Data sheet KTZ615-51



CWL: Continuous running water level



Specification

Electric submersible pump KTZ-series
 Degree of protection IP 68
 Pressure resistance
 Type of impeller Semi-open
 Max. solid handling
 Suitable for:

Electric motor

Dry-type submersible induction motor
 Insulation class F 2Poles 2890 1/min
 Starting mode Direct starting
 Rated voltage 400 V 50 Hz 3~
 Power uptake 17,80 kW
 Rated power 15,00 kW
 Rated current 28,3 A
 Start current 170,1 A

Cable

20m NSSHÖU 4Cx6mm²

Motor Protection

(snap-action bi-metal device)

Shaft seal

Double inside mechanical seal in oil bath
 additional lubrication by oil lifting device
 Primary seal
 Silicon carbide on silicon carbide
 Secondary seal
 Silicon carbide on carbon

Bearings

Materials

Impeller	Chromium Iron HiCrFC
Pump casing	FC200 (EN-GJL-200)
Suction cover	FCD50 (EN-GJS-500-7)
Motor Frame	FC150 (EN-GJL-150)
Shaft	SUS420J2 (EN-X30Cr13)

Discharge size

6" (150mm) Hose Coupling / BS-coupling (optional)

Weight

146 kg

Performance curve

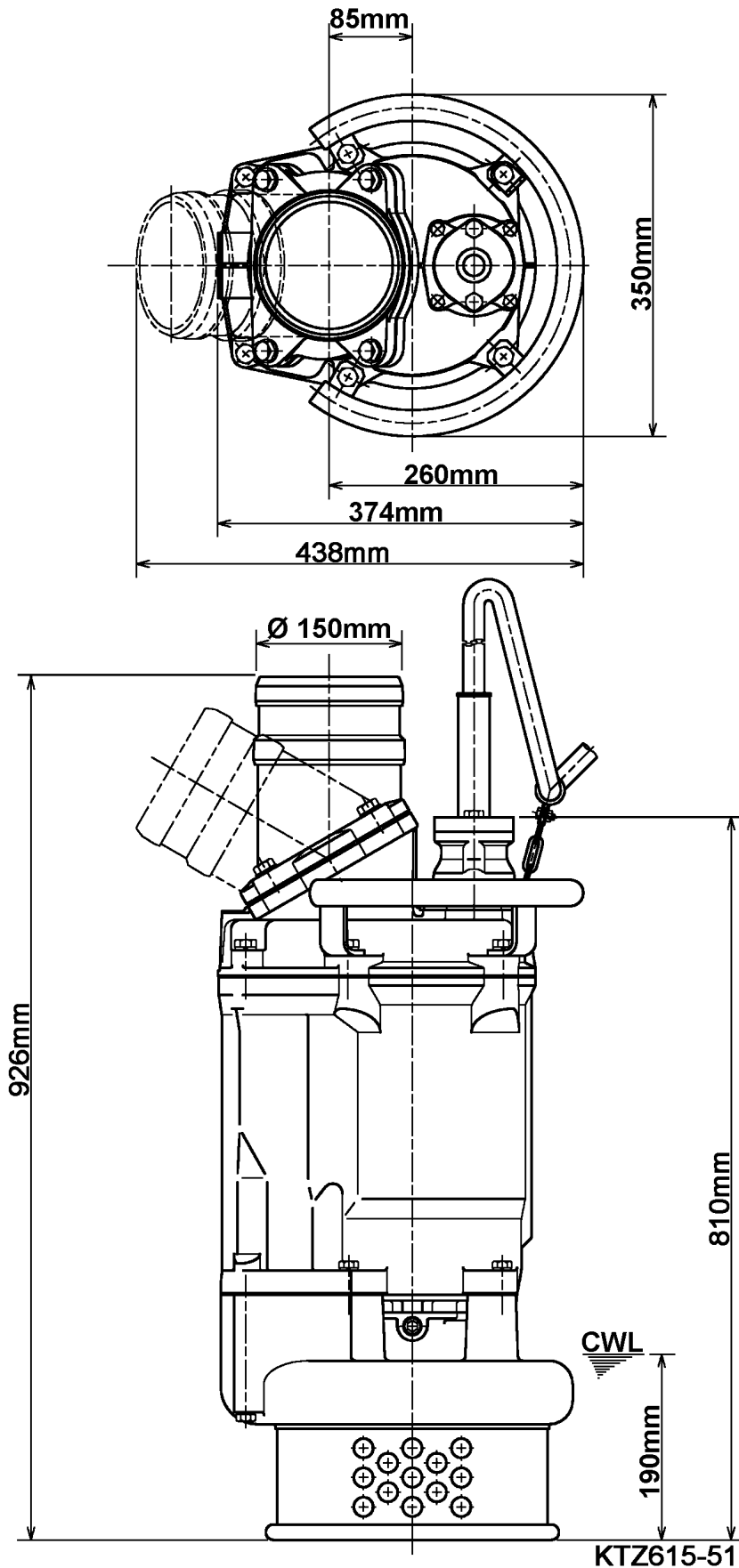
KTZ615-51

Discharge port	6"
Head	40,0 m
Flow	145,8 m ³ /h
Rated power	15,00 kW
Power input	17,80 kW
Phases	3~
Voltages	400 V
Frequency	50 Hz
Rated current	28,3 A
Starting current	170,08 A
Number of poles	2
Speed	2890 1/min
Starting mode	Direct starting
Insulation class	F



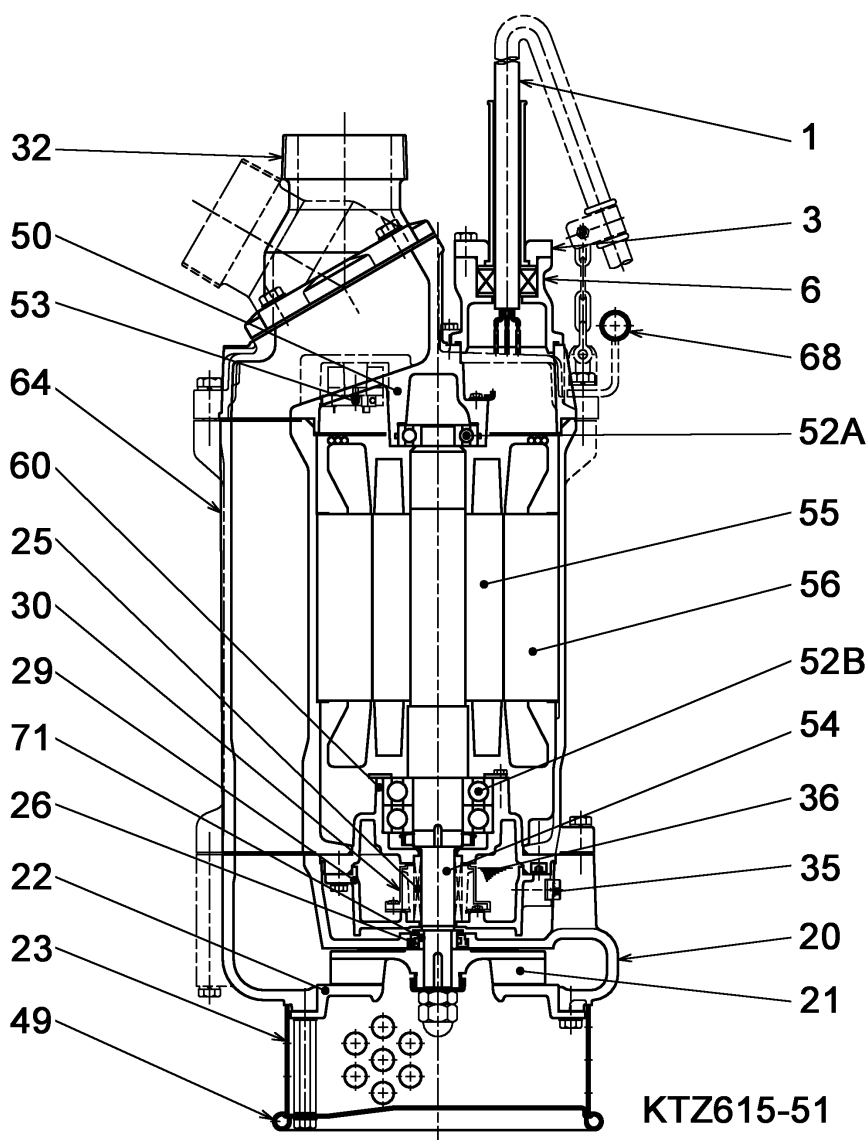
Dimensions

KTZ615-51



CWL: Continuous running water level
 LWL: Lowest running water level

Sectional drawing KTZ615-51



No.	Description	Remark	No.	Description	Remark
1	Cable	20m NSSHÖU	52A	Upper bearing	6306ZXC3
3	Gland	FC200 (EN-GJL-200)	52B	Lower bearing	6309ZZD2C3
6	Stuffing box	FC200 (EN-GJL-200)	53	Motor Protector 380/400/415V-50Hz	KA314-HRXL00 (H.C)
20	Pump casing	FC200 (EN-GJL-200)	54	Shaft	SUS420J2 (EN-X30Cr13)
21	Impeller	Chromium Iron HiCrFC	55	Rotor	.
22	Suction cover	FCD50 (EN-GJS-500-7)	56	Stator	.
23	Strainer	Steel plate	60	Bearing Housing	FC150 (EN-GJL-150)
25	Mechanical seal	H-30T	64	Motor Frame	FC150 (EN-GJL-150)
26	Labyrinth ring only	SUS304 (EN-X5CrNi18-10)	68	Handle	steel pipe / Sectional steel
29	Oil casing	FC200 (EN-GJL-200)	71	Shaft protection sleeve	SUS403 (EN-X6Cr13)
30	Oil distributor	Plastic			
32	Discharge coupling	FC200 (EN-GJL-200)			
35	Oil screw	SUS304 (EN-X5CrNi18-10)			
36	Lubricant	Turbine oil (ISO VG32)			
49	Bottom Plate	Steel plate SPCC			
50	Main cover	FC150 (EN-GJL-150)			