

KTZ611-53

Kontroll-Nr. --

2016-01-31 V.18 / 1.10.2015

KTZ611-53			
Item	Item no.	Description	Quant.
1	140-101-12	Hex.Bolt M12x50 SUS304 (EN X5CrNi18-10) Stainless Steel	6
2	142-165-10	Spring Washer M12 SUS304 (EN X5Cr18-10)	6
3	070-117-11	L-Shape Fitting 40x25x4.5t d13Hole SPC	1
4	068-000-32	Handle SGP+SS	1
5	M01-TEG-04	Cabletyre Cable Set (20m) NSSHÖU 4Cx4mm ²	1
6	010-121-19	Cable Clip Rubber No.1 NBR	1
7	010-120-18	Cable Clip No.2-1 SPC	1
8	141-004-59	Hex.Nut M6 SWRM	1
9	140-032-37	Hex.Bolt M6x15 SWRM	1
10	095-131-18	Chain d4(3-Link) SS	1
11	011-101-19	Shackle 6mm SS	1
12	140-076-17	Hex.Bolt M10x30 SUS304 (EN X5Cr18-10)	2
13	003-183-23	Gland GHZ-311W FC	1
14	002-103-13	Cable Protection Tube 380/400/415V-50Hz(EUR,NSU) No.3 NBR	1
15	005-122-17	Bush Washer d23xd53.5x3.2t SPC	2
16	004-000-01	Cable Bush d18xd54x26 NBR	1
17	140-055-10	Hex.Bolt M8x25 SUS304 (EN X5CrNi18-10)	4
18	006-160-10	Stuffing Box GHZ-311W FC	1
19	122-128-19	O-Ring (Blind Cover) G-85(84.4xd3.1) NBR	1
20	009-123-10	Terminal P-5.5 CU	4
21	009-101-12	Terminal(C/W Screw) d12x(d6.6xd6.6)x25l BSBM	4
22	009-129-16	Terminal E (Small) CU	4
23	002-135-14	Heat Shrink Tube (Sold per meter) A(d15x0.3t) (V/m)	1
24	002-132-11	Heat Shrink Tube (Sold per meter) A4(d17x0.3t) (V/m)	1
25	140-099-16	Hex.Bolt M12x40 SUS304 (EN X5CrNi18-10)	4
26	142-129-25	Plain Washer M12 SPC	4
27	032-001-02	Hose Coupling (for EUR,NSU) KTZ611-53(Angle,BSPT-6) FC	1
28	121-001-49	Packing (Hose Coupling) KTZ-11(Angle) NBR	1
29	143-164-25	Pan Screw (w/Spring Washer) M6x8 BSBM	1
30	009-296-15	Earth Terminal 8mmx180L	1
31	050-001-13	Motor Bracket FC	1
32	122-173-19	O-Ring V-225 NBR	1
33	053-000-24	Motor Protector 380-420V-50HZ 380-460V-60HZ KA315-JKZL00 (B.C)	1
34	143-125-24	Pan Screw (w/Spring Washer/Plain Washer) M4x14 SWRM	2
35	142-198-12	Wave Washer #6306 SK-5	1
36	052-109-14	Bearing 6306ZZC3	1
37	122-245-13	O-Ring 71.4xd3.1 NBR	1
38	058-000-36	Lead Wire Protection Plate d96xd224.5x1.6t PE	1
39	055-002-61	Rotor	1
40	147-139-10	Impeller Key 7x7x28L SUS420 (EN X20Cr13) Stainless Steel	1
41	056-007-37	Stator 380/400/415V-50Hz	1
42	121-504-10	Packing (Water Way, Upp.) KTZ411/611 NBR	1
43	064-001-32	Motor Frame FC	1
44	140-080-14	Hex.Bolt M10x45 SUS304 (EN X5CrNi18-10)	4
45	142-164-19	Spring Washer M10 SUS304 (EN X5CrNi18-10)	4
46	140-000-06	Hex.Bolt (w/Spring Washer/Plain Washer) M6x12 SWCH	4
47	052-112-10	Bearing 6309ZZC3	1
48	122-285-15	O-Ring 155xd3.1 NBR	1
49	060-001-39	Bearing Housing FC	1
50	140-269-19	Hex. Socket Cap Bolt M8x25 SUS304 (EN X5CrNi18-10) Stainless Steel	4
51	025-000-50	Mechanical Seal H-30T SiC	1
52	143-070-23	Pan Screw M5x6 SWRM	2
53	030-142-11	Oil Lifter H-30(A)(T) Resin	1
54	143-070-10	Pan Screw M5x6 SWRM	6
55	030-147-16	Seal Stopper HT-3035 SPCC	1
56	122-285-15	O-Ring 155xd3.1 NBR	1
57	121-503-19	Packing (Water Way, Low.) KTZ411/611 NBR	1
58	029-333-17	Oil Casing KTZ47.5/611 FC	1
59	142-163-18	Spring Washer M8 SUS304 (EN X5Cr18-10)	4
60	140-055-10	Hex.Bolt M8x25 SUS304 (EN X5CrNi18-10)	4
61	121-247-12	Packing (Oil Plug) d12.3xd18x2t PE	1
62	035-113-18	Oil Plug M12x14 SUS304 (EN X5Cr18-10)	1
63	071-198-19	Shaft Sleeve d25xd35x17l SUS403 (EN X6Cr13) Stainless Steel	1
64	020-001-06	Pump Casing KTZ411/611 (FC)	1
65	142-164-19	Spring Washer M10 SUS304 (EN X5CrNi18-10)	2
66	140-449-15	Hex.Bolt M10x140 SUS304 (EN X5CrNi18-10) Stainless Steel	2
67	122-360-15	O-Ring 46.5xd2.5 NBR	1
68	026-238-12	Labyrinth Ring GHV/GHZ-7.5/11KW SUS304 (EN X5CrNi18-10) Stainless Steel	1
69	040-107-28	Impeller Shim d25.2xd38x0.3t SUS304 (EN X5CrNi18-10)	1
70	021-K84-15	Impeller (50Hz) 50Hz HiCrFC	1
71	047-105-14	Impeller Thread Protect.Cover No.4(22) SPC	1
72	141-009-38	Hex.Nut M20(H=12) SUS304 (EN X5CrNi18-10) Stainless Steel	1
73	141-034-16	Hex.Cap Nut M20 SUS304 (EN X5CrNi18-10) Stainless Steel	1
74	120-111-13	Packing (S.Cover) d221xd268x0.3t PE	1
75	022-000-57	Suction Cover KTZ67.5/611 (FCD)	1
76	142-128-24	Plain Washer M10 Kaltgewalztes Blech	3
77	140-075-16	Hex.Bolt M10x25 SUS304	3
78	142-128-24	Plain Washer M10 Kaltgewalztes Blech	3
79	144-000-57	Stud Bolt M10x124(14/26) SUS403 (EN X6Cr13) Stainless Steel	3
80	023-252-13	Strainer KT V-75/110 SPC	1
81	049-133-20	Bottom Plate KRS-C3/A3 SPC	1
82	142-128-24	Plain Washer M10 Kaltgewalztes Blech	3

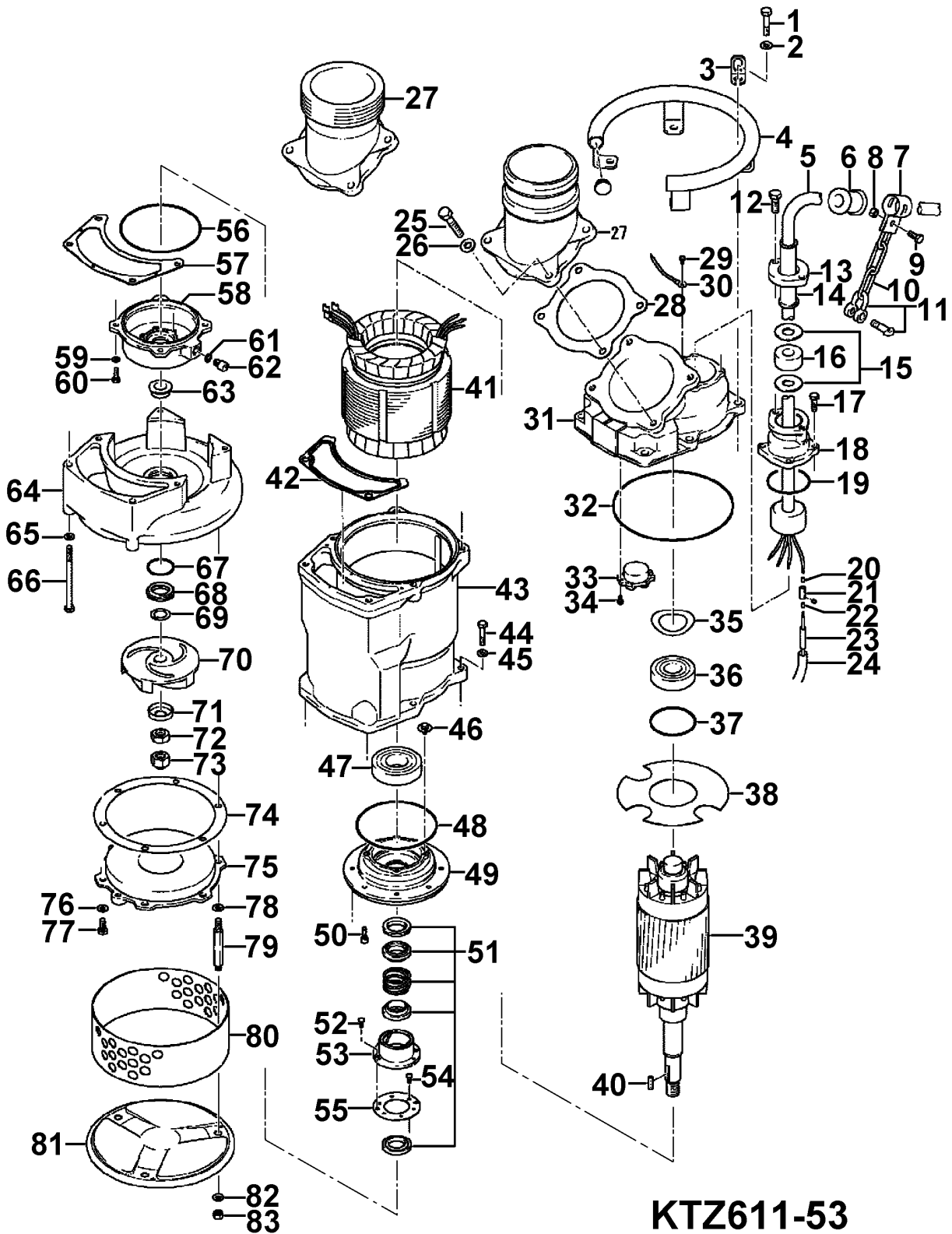
KTZ611-53

Kontroll-Nr. --

2016-01-31 V.18 / 1.10.2015

KTZ611-53			
Item	Item no.	Description	Quant.
83	141-006-77	Hex.Nut M10 S45C	3
	173-003-42	Packing & O-Ring Set	1
	#oilVG32	ml Turbine Oil ISO VG32	760
	183-009-12	"Impeller Puller "A Type No.4 1""1/4"" "	1

Exploded View KTZ611-53



KTZ611-53