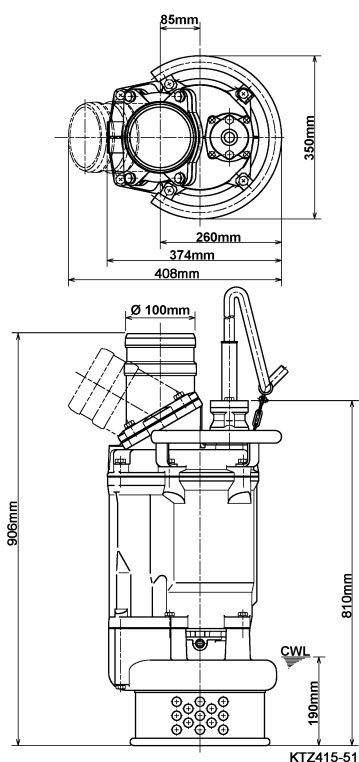
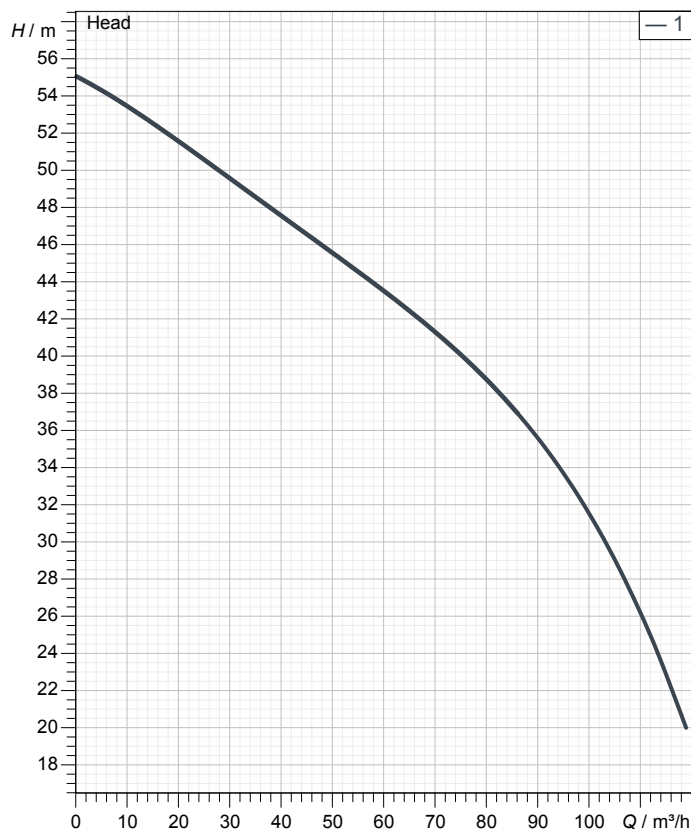


# Data sheet KTZ415-51



CWL: Continuous running water level



## Specification

Electric submersible pump KTZ-series  
 Degree of protection IP 68  
 Pressure resistance  
 Type of impeller Semi-open  
 Max. solid handling  
 Suitable for:

## Electric motor

Dry-type submersible induction motor  
 Insulation class F 2Poles 2890 1/min  
 Starting mode Direct starting  
 Rated voltage 400 V 50 Hz 3~  
 Power uptake 17,80 kW  
 Rated power 15,00 kW  
 Rated current 28,3 A  
 Start current 170,1 A

## Cable

20m NSSHÖU 4Cx6mm<sup>2</sup>

## Motor Protection

(snap-action bi-metal device)

## Shaft seal

Double inside mechanical seal in oil bath  
 additional lubrication by oil lifting device  
 Primary seal  
 Silicon carbide on silicon carbide  
 Secondary seal  
 Silicon carbide on carbon

## Bearings

## Materials

Impeller	Chromium Iron HiCrFC
Pump casing	FC200 (EN-GJL-200)
Suction cover	FCD50 (EN-GJS-500-7)
Motor Frame	FC150 (EN-GJL-150)
Shaft	SUS420J2 (EN-X30Cr13)

## Discharge size

4" (100mm) Hose Coupling / BS-coupling (optional)

## Weight

146 kg

# Performance curve

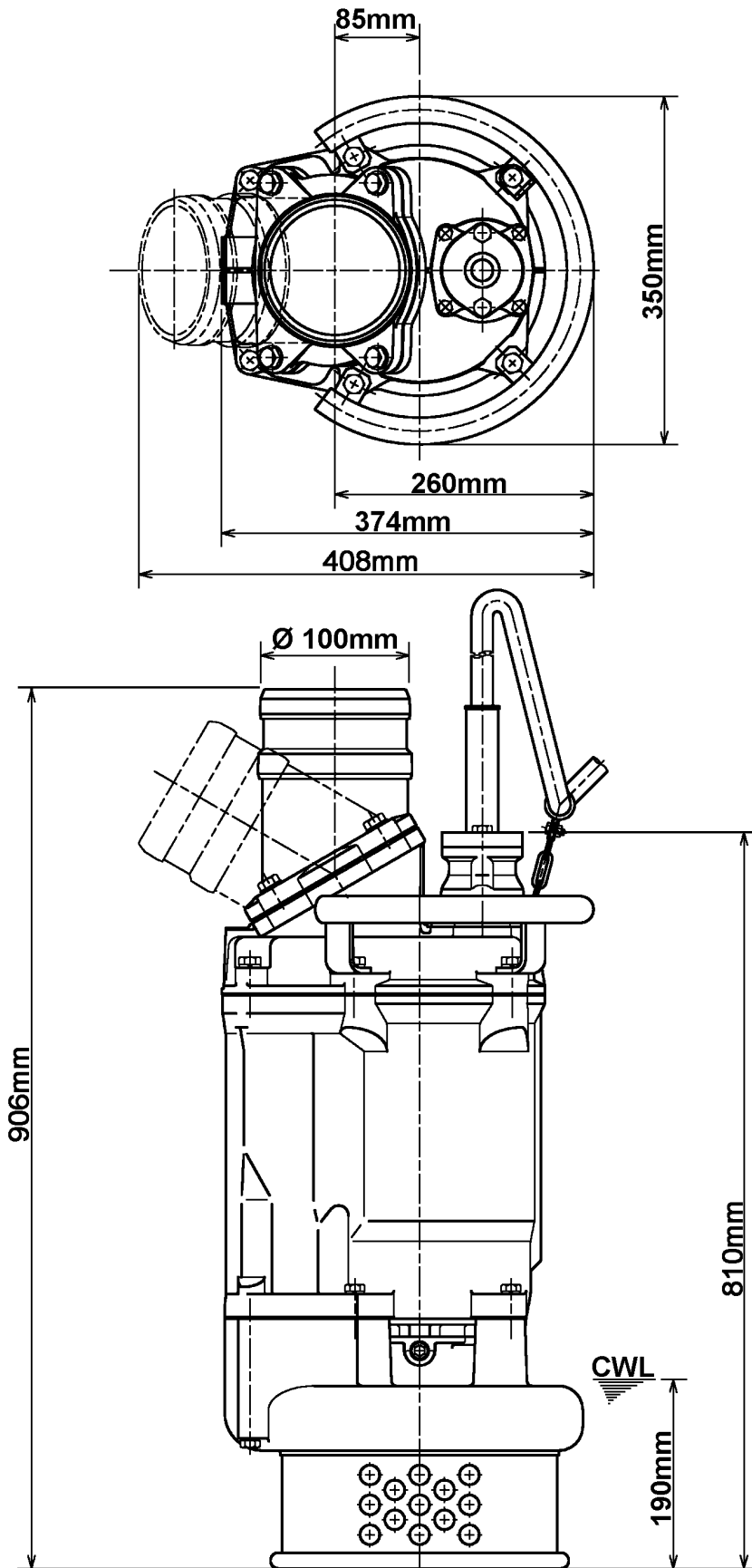
## KTZ415-51

Discharge port	4"
Head	55,0 m
Flow	86,1 m <sup>3</sup> /h
Rated power	15,00 kW
Power input	17,80 kW
Phases	3~
Voltages	400 V
Frequency	50 Hz
Rated current	28,3 A
Starting current	170,08 A
Number of poles	2
Speed	2890 1/min
Starting mode	Direct starting
Insulation class	F



# Dimensions

## KTZ415-51

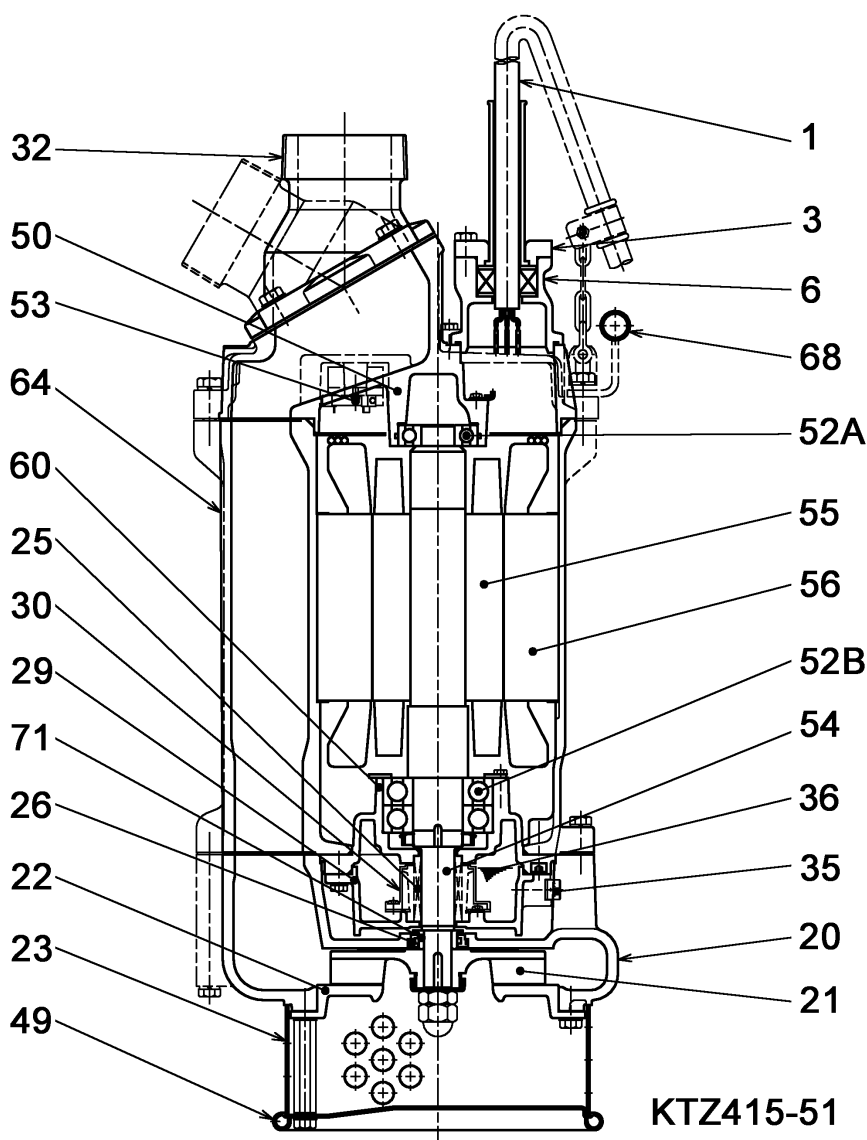


KTZ415-51

CWL: Continuous running water level  
 LWL: Lowest running water level

# Sectional drawing

## KTZ415-51



KTZ415-51

No.	Description	Remark	No.	Description	Remark
1	Cable	20m NSSHÖU	52A	Upper bearing	6306ZZC3
3	Gland	FC200 (EN-GJL-200)	52B	Lower bearing	6309ZZD2C3
6	Stuffing box	FC200 (EN-GJL-200)	53	Motor Protector 380/400/415V-50Hz	KA314-HRXL00 (H.C)
20	Pump casing	FC200 (EN-GJL-200)	54	Shaft	SUS420J2 (EN-X30Cr13)
21	Impeller	Chromium Iron HiCrFC	55	Rotor	.
22	Suction cover	FCD50 (EN-GJS-500-7)	56	Stator	.
23	Strainer	Steel plate	60	Bearing Housing	FC150 (EN-GJL-150)
25	Mechanical seal	H-30T	64	Motor Frame	FC150 (EN-GJL-150)
26	Labyrinth ring only	SUS304 (EN-X5CrNi18-10)	68	Handle	steel pipe / Sectional steel
29	Oil casing	FC200 (EN-GJL-200)	71	Shaft protection sleeve	SUS403 (EN-X6Cr13)
30	Oil distributor	Plastic			
32	Discharge coupling	FC200 (EN-GJL-200)			
35	Oil screw	SUS304 (EN-X5CrNi18-10)			
36	Lubricant	Turbine oil (ISO VG32)			
49	Bottom plate	Steel plate			
50	Main cover	FC150 (EN-GJL-150)			