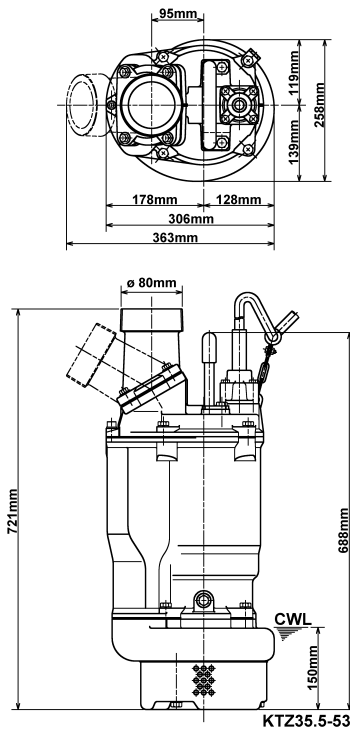
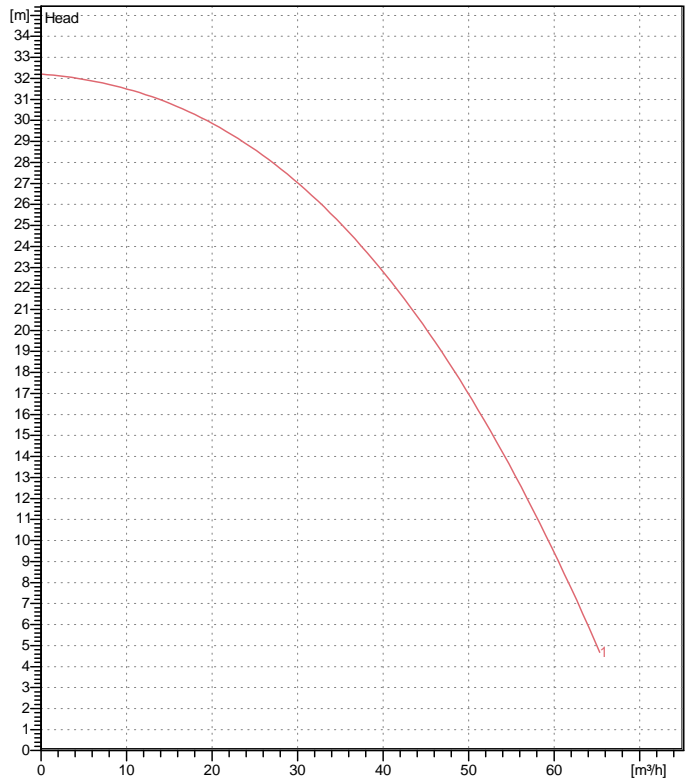


Data sheet KTZ35.5-53



CWL: Continuous running water level



Specification

Electric submersible pump
 Degree of protection IP 68
 Depth of submersion max. 25 m
 Type of impeller Semi-open
 Max. solid handling 8,5 mm
 Suitable for:
 spring-/rain-/waste-/ground water, water containing sand

Electric motor

Dry-type submersible induction motor
 Insulation class F 2Poles 2945 1/min
 Starting mode Directly
 Rated voltage 400 V 50 Hz 3~
 Power uptake 6,98 kW
 Rated power 5,50 kW
 Rated current 11,4 A
 Start current 85,0 A

Cable

20m NSSHÖU 4Cx2,5mm²

Motor Protection

Circle thermal protector
 (snap-action bi-metal device)

Shaft seal

Double inside mechanical seal in oil bath
 additional lubrication by oil lifting device
 Primary seal
 Silicon carbide on silicon carbide
 Secondary seal
 Silicon carbide on carbon

Bearings

Shielded ball bearings, maintenance-free

Materials

Impeller	Chromium Iron HiCrFC
Pump casing	FC200 (EN-GJL-200)
Suction cover	FCD50 (EN-GJS-500-7)
Motor Frame	FC150 (EN-GJL-150)
Shaft	SUS420J2 (EN-X30Cr13)

Discharge size

3" (80mm) BS-coupling (threaded flange)

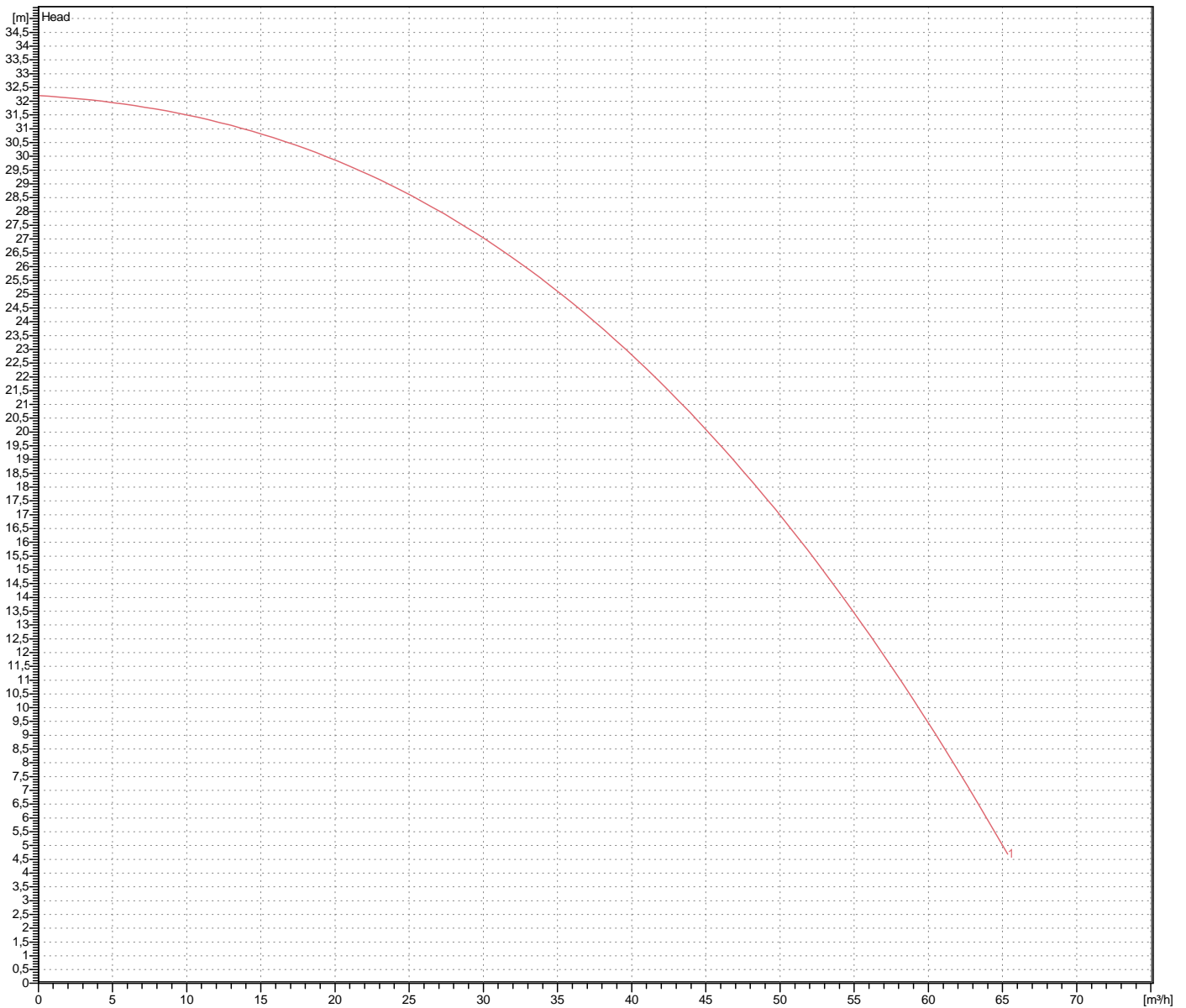
Weight

76 kg (dry weight of the pump only without cable)

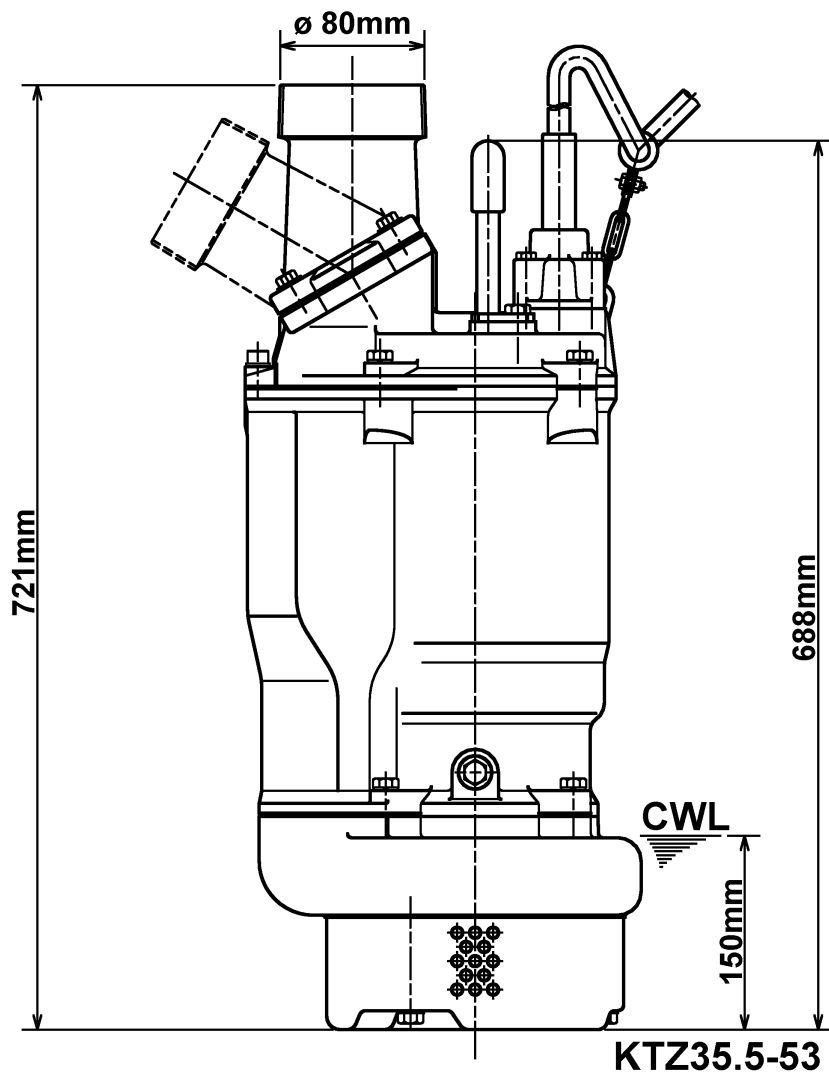
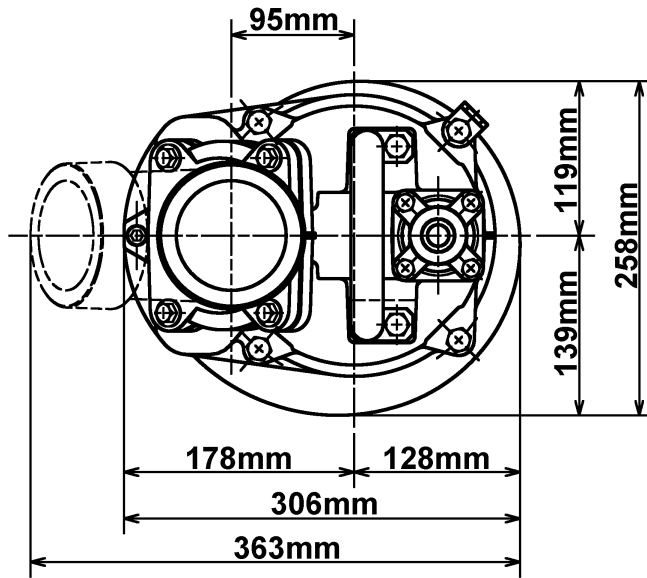
Performance curve

KTZ35.5-53

Discharge port	3"
Head	32,2 m
Flow	65,3 m ³ /h
Rated power	5,50 kW
Power input	6,98 kW
Phases	3~
Voltages	400 V
Frequency	50 Hz
Rated current	11,4 A
Starting current	85,04 A
Number of poles	2
Speed	2945 1/min
Starting mode	Directly
Insulation class	F

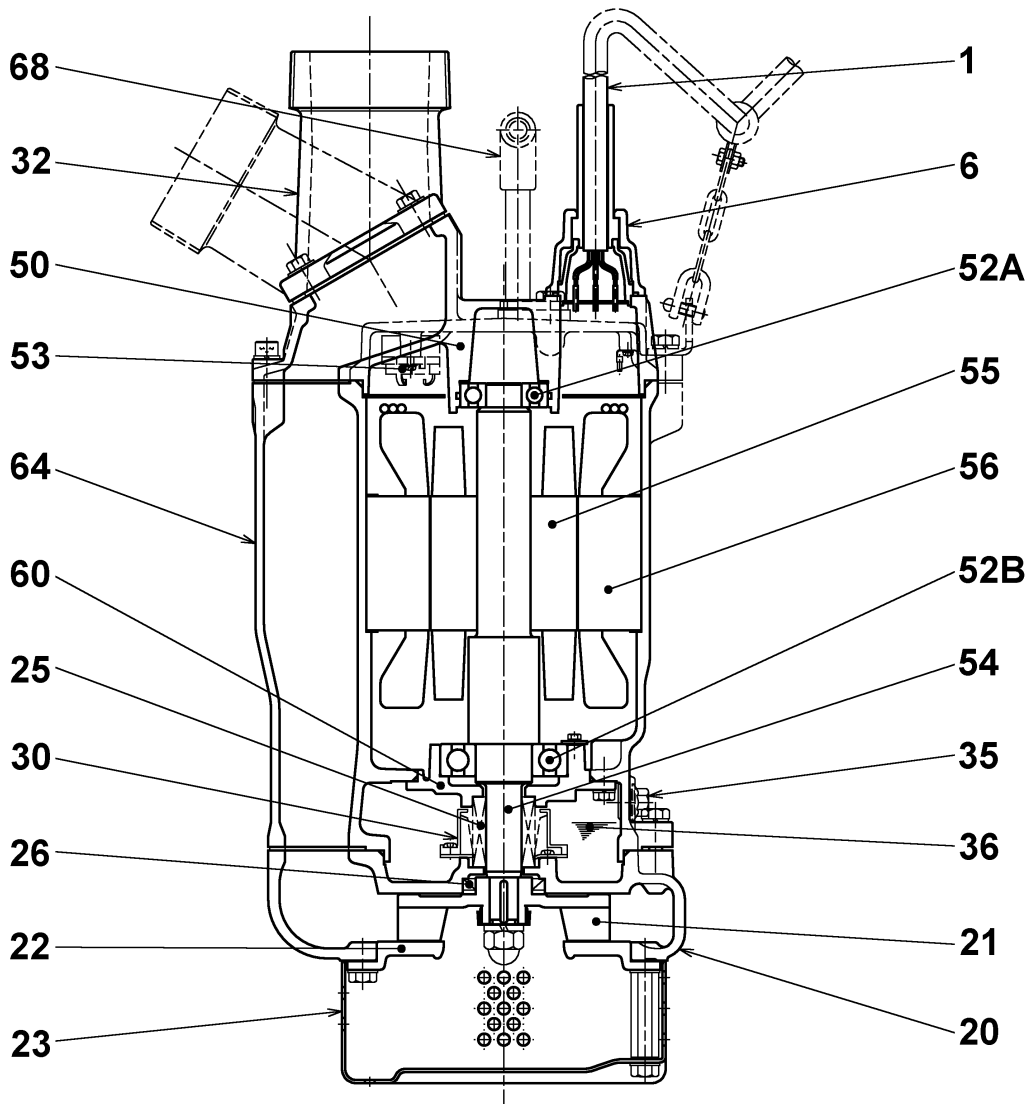


Dimensions KTZ35.5-53



CWL: Continuous running water level
LWL: Lowest running water level

Sectional drawing KTZ35.5-53



No.	Description	Remark	No.	Description	Remark
1	Cable	20m NSSHÖU	54	Shaft	SUS420J2 (EN-X30Cr13)
6	Stuffing box	FC200 (EN-GJL-200)	55	Rotor	.
20	Pump casing	FC200 (EN-GJL-200)	56	Stator	.
21	Impeller	Chromium Iron HiCrFC	60	Bearing Housing	FC150 (EN-GJL-150)
22	Suction cover	FCD50 (EN-GJS-500-7)	64	Motor Frame	FC150 (EN-GJL-150)
23	Strainer	Steel plate	68	Handle	steel pipe / Sectional steel
25	Mechanical seal	H-2530N			
26	Oil seal	DD40588			
30	Oil distributor	Plastic			
32	Discharge coupling	Aluminium alloy casting			
35	Oil screw	SUS304 (EN-X5CrNi18-10)			
36	Lubricant	Turbine oil (ISO VG32)			
50	Main cover	FC150 (EN-GJL-150)			
52A	Upper bearing	6305ZZC3			
52B	Lower bearing	6308ZZC3			
53	Motor Protector 380/400/415V-50Hz KA314-HRXL00 (H.C)				