

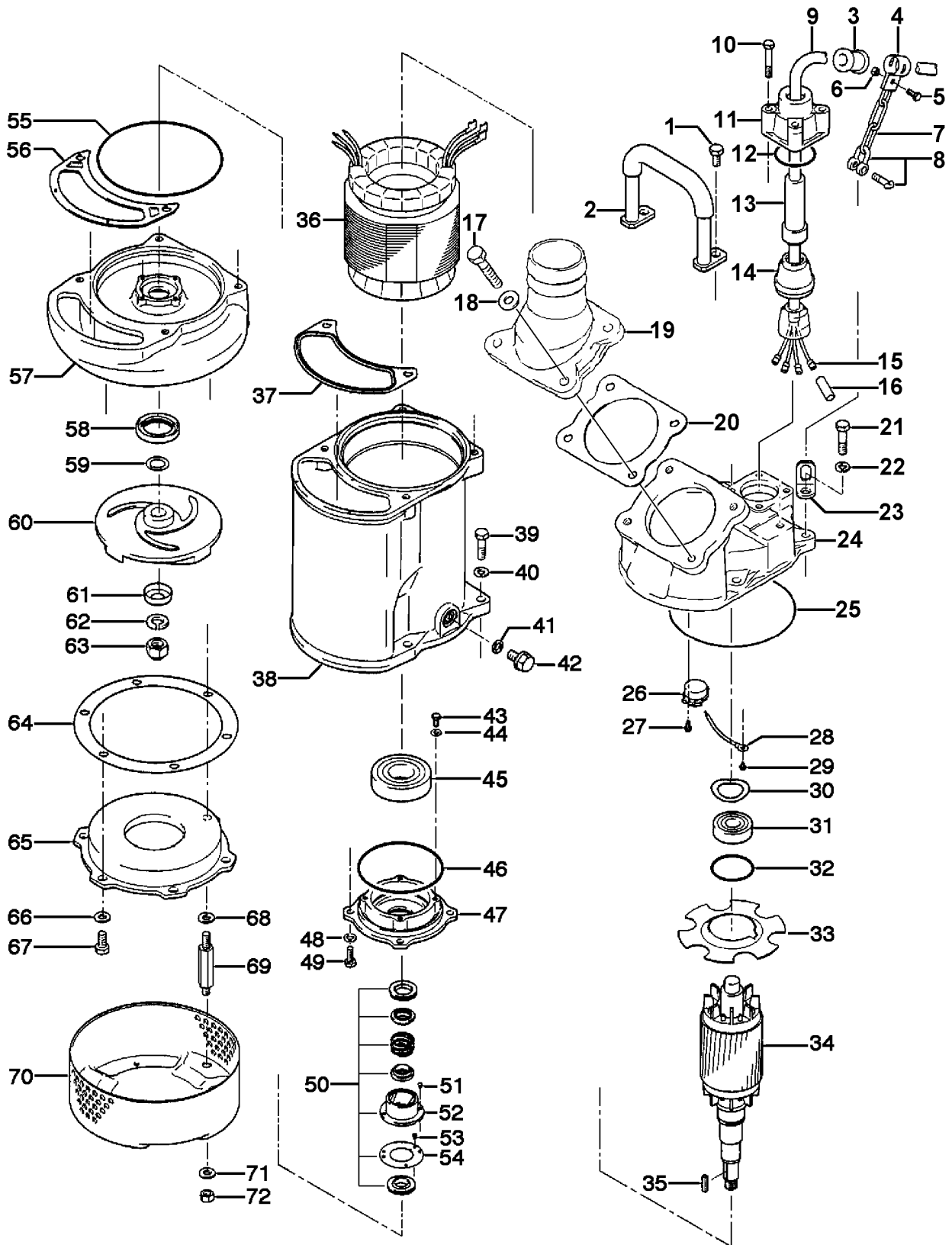
KTZ33.7-53

Kontroll-Nr. --

2016-01-31 V.18 / 1.10.2015

KTZ33.7-53			
Item	Item no.	Description	Quant.
1	140-074-15	Hex.Bolt M10x20 SUS304 (EN X5CrNi18-10) Stainless Steel	2
2	068-000-36	Handle KTZ33.7/45.5 SGP+SS	1
3	010-124-15	Cable Clip Rubber No.3 NBR	1
4	010-120-18	Cable Clip No.2-1 SPC	1
5	140-032-37	Hex.Bolt M6x15 SWRM	1
6	141-004-59	Hex.Nut M6 SWRM	1
7	095-131-18	Chain d4(3-Link) SS	1
8	011-110-11	Shackle 6mm SS	1
9	001-TEG-02	Cable Set (20m) H07RN-F4Cx2,5mm ² without stuffing box	1
9	M01-TEG-02	Cable Set (20m) NSSHÖU 4Cx2,5mm ²	1
10	140-060-18	Hex.Bolt M6x50 SUS304	4
11	006-167-17	Stuffing Box No.1-3 FC	1
12	122-121-12	O-Ring G-50 NBR	1
13	004-167-11	Cable Bush No.1 CR	1
14	008-156-19	Mould Cover No.1-3 ADC	1
15	009-126-13	Terminal 1.25mm2/2mm2 Nylon	1
16	002-135-14	Heat Shrink Tube (Sold per meter) A(d15x0.3t) (V/m)	4
17	140-000-87	Hex.Bolt M10x35(B-14) SUS304 (EN-X5CrNi18-10)	4
18	142-128-24	Plain Washer M10 Kaltgewalztes Blech	4
19	032-000-91	Hose Coupling (for EUR) KTZ33.7-53/63(Angle,BSPT-3) FC	1
19	032-000-83	Hose Coupling KTZ33.7-53/63(Angle) ADC	1
20	121-001-48	Packing (Hose Coupling) KTZ-3.7/7.5(Angle) NBR	1
21	140-079-10	Hex.Bolt M10x40 SUS304 (EN X5Cr18-10)	4
22	142-164-19	Spring Washer M10 SUS304 (EN X5CrNi18-10)	4
23	070-117-11	L-Shape Fitting 40x25x4.5t d13Hole SPC	1
24	050-001-06	Motor Bracket FC	1
25	122-276-13	O-Ring 160xd3.1 NBR	1
26	053-222-17	Motor Protector 380/400/415V-50HZ KA314-HMXL00 (H.C)	1
27	143-126-12	Pan Screw (w/Spring Washer/Plain Washer) M4x12 SWRM	2
28	009-293-12	Earth Terminal 2mm2x180l	1
29	143-085-21	Pan Screw (w/Spring Washer) M4x6 SWRM	1
30	142-196-10	Wave Washer 6205/6304 SK5	1
31	052-107-12	Bearing 6304ZZC3	1
32	122-367-12	O-Ring 52xd3.1 NBR	1
33	058-000-04	Lead Wire Protection Plate d66xd150x1.5t Bakelite	1
34	055-002-82	Rotor	1
35	147-026-13	Impeller Key 5x5x25l Stainless Steel	1
36	056-001-29	Stator 380/400/415V-50Hz	1
37	121-506-12	Packing (Water Way, Upp.) KTZ33.7/33.7/43.7 NBR	1
38	064-000-19	Motor Frame FC	1
39	140-078-19	Hex.Bolt M10x35 SUS304 (EN X5CrNi18-10)	4
40	142-164-19	Spring Washer M10 SUS304 (EN X5CrNi18-10)	4
41	121-247-12	Packing (Oil Plug) d12.3xd18x2t PE	1
42	140-000-17	Hex.Bolt (w/Flange) M12x15(Oil Plug) SUS304 (EN X5CrNi18-10) Stainless Steel	1
43	140-000-23	Hex.Bolt (w/Spring Washer) M5x10 SWRM	4
44	062-000-02	Bearing Cover d5.5xd18x2t SPC	4
45	052-110-18	Bearing 6307ZZC3	1
46	122-133-17	O-Ring G-110 NBR	1
47	060-001-76	Bearing Housing FC	1
48	142-163-34	Spring Washer M8 SWRH	4
49	140-054-48	Hex.Bolt M8x20 SWRM	4
50	025-000-07	Mechanical Seal H-25T SiC	1
51	143-070-23	Pan Screw M5x6 SWRM	2
52	030-143-12	Oil Lifter H-25(A)(T) Resin	1
53	143-070-10	Pan Screw M5x6 SWRM	4
54	030-148-17	Seal Stopper For HT-2530 SPCC	1
55	122-283-13	O-Ring 165xd3.1 NBR	1
56	121-124-12	Packing (Water Way, Low.) KTV-37/55 NBR	1
57	020-001-02	Pump Casing KTZ33.7/33.7/43.7 FC	1
58	026-144-49	Oil Seal TC-40588 NBR	1
59	040-106-27	Impeller Shim d20.2xd30x0.3t SUS304 (EN X5CrNi18-10) Stainless Steel	1
60	021-L16-17	Impeller (50Hz) 50Hz HiCrFC	1
61	047-104-26	Impeller Thread Protect.Cover No.3B(18) SUS304 (EN X5CrNi18-10) Stainless Steel	1
62	142-166-11	Spring Washer M16 SUS304 (EN X5Cr18-10)	1
63	141-033-15	Hex.Cap Nut M16 SUS304 (EN X5Cr18-10)	1
64	120-109-21	Packing (S.Cover) d180xd220x0.3t PE	1
65	022-000-55	Suction Cover KTZ33.7 (FCD)	1
66	142-128-24	Plain Washer M10 Kaltgewalztes Blech	3
67	140-074-15	Hex.Bolt M10x20 SUS304 (EN X5CrNi18-10) Stainless Steel	3
68	142-128-24	Plain Washer M10 Kaltgewalztes Blech	3
69	144-000-31	Stud Bolt M10x94(20/14) DIN 1.4006 (EN X12Cr13) Edelstahl	3
70	023-471-10	Strainer Stand KTZ33.7/45.5 SPCC	1
71	142-128-24	Plain Washer M10 Kaltgewalztes Blech	3
72	141-006-77	Hex.Nut M10 S45C	3
	173-003-33	Packing O-Ring Set	1
	183-008-11	"Impeller Puller "A Type No.3 1""	1
	##oilVG32	ml Turbine Oil ISO VG32	1250

Exploded View KTZ33.7-53



KTZ33.7-53