

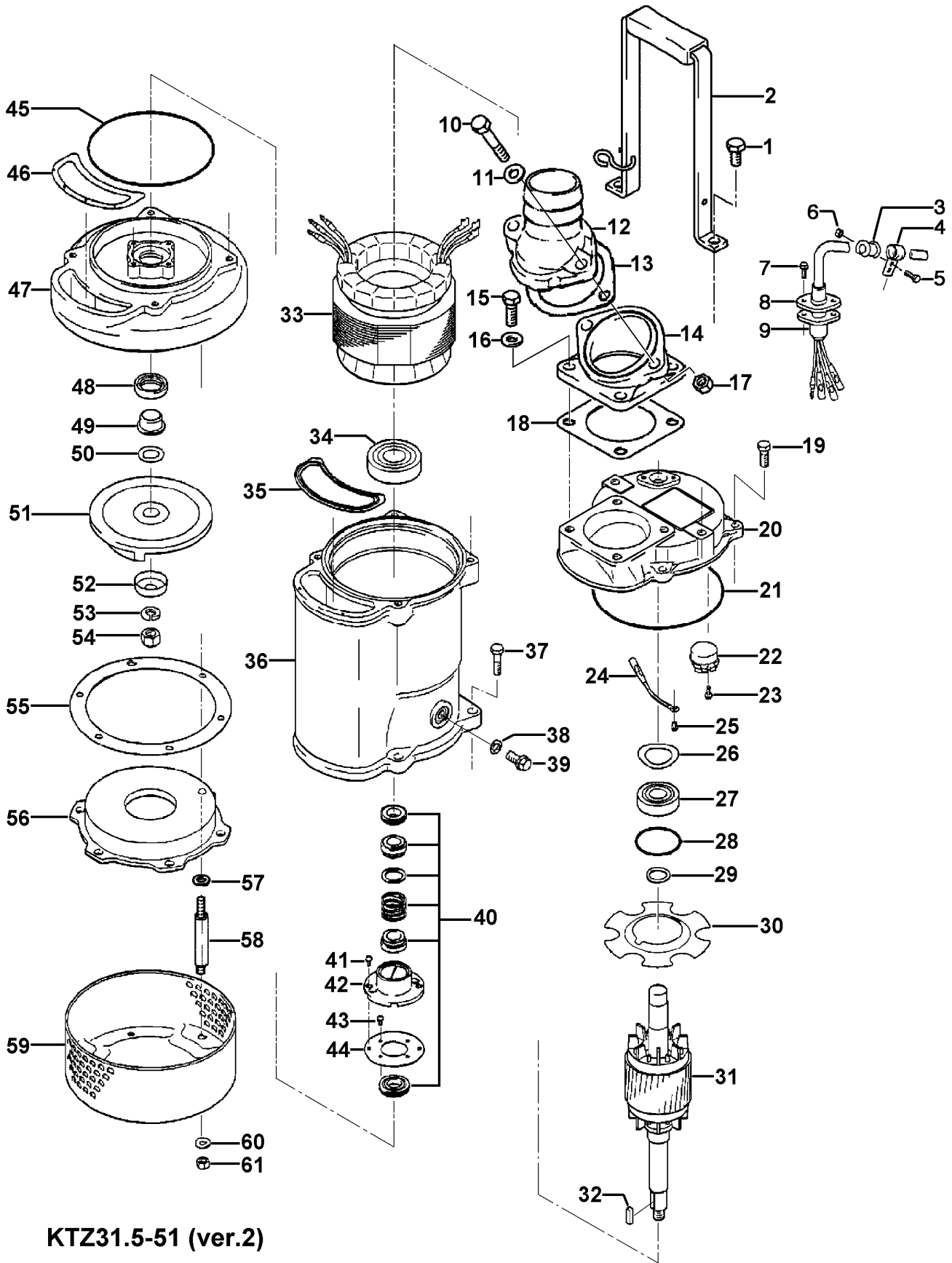
**KTZ31.5-51 (ver.2)**

Kontroll-Nr. --

2016-01-31 V.18 / 1.10.2015

KTZ31.5-51 (ver.2)			
Item	Item no.	Description	Quant.
1	140-074-15	Hex.Bolt M10x20 SUS304 (EN X5CrNi18-10) Stainless Steel	2
2	068-000-17	Handle KTZ1.5/2.2-61(USA) SPC+ NBR	1
3	010-126-17	Cable Clip Rubber HS2 NBR	1
4	010-105-10	Cable Clip SB SPC	1
5	140-018-37	Hex.Bolt M5x15 SWRM	1
6	141-003-58	Hex.Nut M5 SWRM	1
7	140-427-17	Hex.Bolt (w/Plain Washer) M5x15 SUS304 (EN X5CrNi18-10)	2
8	003-190-10	Gland SUS316 (EN X5Cr-Ni-Mo17-12-2)	1
9	001-TEG-31	Cabletyre Cable Set (20m) H07RN-F4Cx1,5mm <sup>2</sup> with gland	1
9	M01-TEG-31	Cabletyre Cable Set (20m) NSSHÖU 4Cx1,5mm <sup>2</sup>	1
10	140-080-14	Hex.Bolt M10x45 SUS304 (EN X5CrNi18-10)	2
11	142-128-24	Plain Washer M10 Kaltgewalztes Blech	2
12	032-000-87	Hose Coupling (for EUR) BSPT-3(KTZ,PC100) FC	1
12	032-000-79	Hose Coupling 80mm(KTZ,PC100) ADC	1
13	121-001-47	Packing (Hose Coupling) KTZ-1.5/2.2 NBR	1
14	032-000-81	Flange for Hose Coupling KTZ-1.5/2.2,PC107 ADC	1
15	140-000-01	Hex.Bolt M10x30(B=14) SUS304 (EN X5CrNi18-10) Stainless Steel	1
16	142-128-24	Plain Washer M10 Kaltgewalztes Blech	4
17	141-006-19	Hex.Nut M10 SUS304 (EN X5CrNi18-10)	4
18	121-181-17	Packing KT-15 NBR	2
19	140-488-16	Hex.Bolt (w/Spring Washer) M8x30 SUS304 (EN X5Cr18-10)	1
20	050-421-19	Motor Bracket FC	4
21	122-140-17	O-Ring G-145 NBR	1
22	053-471-13	Motor Protector 380-420V-50HZ 380-460V-60HZ KA311-DPWJ78 (T.C)	1
23	009-292-11	Earth Terminal 1.25mmx140L	1
24	143-085-34	Pan Screw (w/Spring Washer) M4x6 C3604 (EN CuZn39Pb3)	1
25	143-126-12	Pan Screw (w/Spring Washer/Plain Washer) M4x12 SWRM	1
26	142-389-12	Wave Washer #6204 SK-5	1
27	052-187-16	Bearing (w/O-ring) AC-6204ZZC3	2
28	122-293-16	O-Ring 47x3.1 NBR	1
29	061-174-18	Slinger d20xd27x2t SPC	1
30	058-000-13	Lead Wire Protection Plate d61xd136x2t (Resin)	1
31	055-705-15	Rotor	1
32	147-017-11	Impeller Key 5x5x20l SUS	1
33	056-001-14	Stator 380/400/415V-50Hz(EUR)	1
34	052-108-13	Bearing 6305ZZC3	1
35	121-507-13	Packing (Water Way, Upp.) KTZ21.5/32.2 NBR	1
36	064-000-10	Motor Frame (FC)	1
37	140-488-16	Hex.Bolt (w/Spring Washer) M8x30 SUS304 (EN X5Cr18-10)	1
38	121-246-11	Packing (Oil Plug) d10.3xd16x2t PE	1
39	035-125-13	Oil Plug M10x20(B=13) SUS304 (EN X5CrNi18-10) Stainless Steel	4
40	025-243-17	Mechanical Seal H-20T SiC	1
41	143-070-23	Pan Screw M5x6 SWRM	1
42	030-144-13	Oil Lifter H-20(A)(T) Resin	1
43	143-070-10	Pan Screw M5x6 SWRM	2
44	030-154-16	Seal Stopper H-20T SPCC	1
45	122-139-13	O-Ring G-140 NBR	4
46	121-501-17	Packing (Water Way, Low.) KTZ21.5/22.2 NBR	1
47	020-001-01	Pump Casing KTZ21.5/32.2 FC	1
48	026-105-19	Oil Seal TC-25388 NBR	1
49	071-314-13	Shaft Sleeve d20xd25x16l SUS304 (EN X5CrNi18-10) Stainless Steel	1
50	040-104-25	Impeller Shim d18.2xd29x0.3t SUS304 (EN X5CrNi18-10) Stainless Steel	1
51	021-552-23	Impeller (15L) 15L HiCrFC	1
52	047-113-28	Impeller Thread Protect.Cover No.3A(13.5) SUS304 (EN X5Cr18-10)	1
53	142-165-10	Spring Washer M12 SUS304 (EN X5Cr18-10)	1
54	141-032-14	Hex.Cap Nut M12 SUS304	1
55	120-110-12	Packing (S.Cover) d150xd186x0.3t PE	1
56	022-000-53	Suction Cover KTZ31.5/32.2 (FCD)	1
57	142-127-23	Plain Washer M8 SPC	1
58	144-000-56	Stud Bolt M8x85(12/30) SUS410 (EN X12Cr13) Stainless Steel	1
59	023-472-11	Strainer Stand KTZ21.5/32.2 SPCC	3
60	142-127-23	Plain Washer M8 SPC	3
61	141-005-89	Hex.Nut M8 SWRM	1
	173-003-31	Packing O-Ring Set	1
	##oilVG32	ml Turbine Oil ISO VG32	740

# Exploded View KTZ31.5-51 (ver.2)



KTZ31.5-51 (ver.2)