

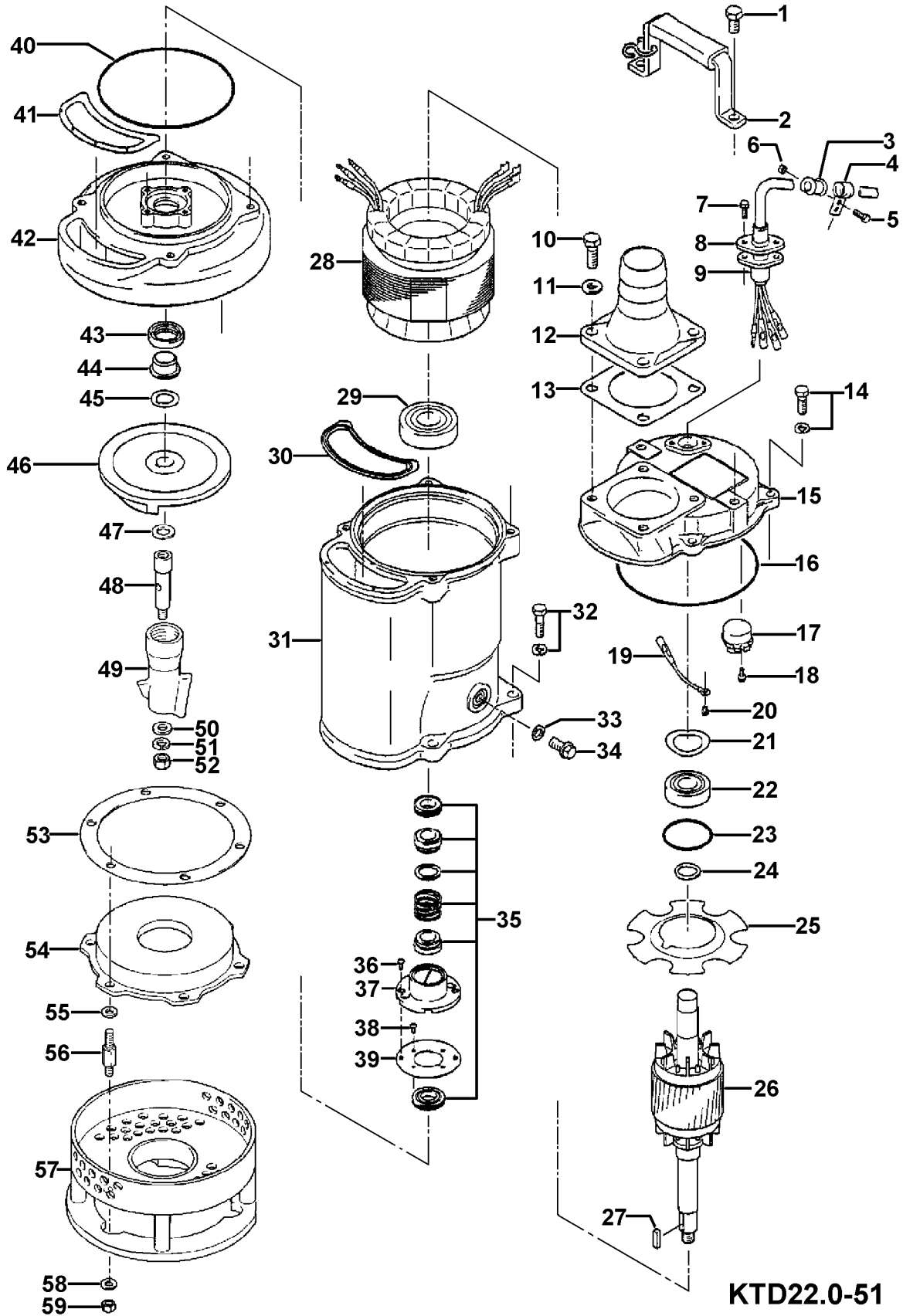
**KTD22.0-51**

Kontroll-Nr. --

2016-01-31 V.18 / 1.10.2015

KTD22.0-51			
Item	Item no.	Description	Quant.
1	140-074-15	Hex.Bolt M10x20 SUS304 (EN X5CrNi18-10) Stainless Steel	2
2	068-000-34	Handle KTZ1.5/2.2-61 (USA) SPC+ NBR	1
3	010-126-17	Cable Clip Rubber HS2 NBR	1
4	010-105-10	Cable Clip SB SPC	1
5	140-018-37	Hex.Bolt M5x15 SWRM	1
6	141-003-58	Hex.Nut M5 SWRM	1
7	140-427-17	Hex.Bolt (w/Plain Washer) M5x15 SUS304 (EN X5CrNi18-10)	2
8	003-190-10	Gland SUS316 (EN X5Cr-Ni-Mb17-12-2)	1
9	M01-TEG-31	Cabletye Cable Set (20m) NSSHOU 4Cx1,5mm <sup>2</sup>	1
10	140-000-01	Hex.Bolt M10x30(B=14) SUS304 (EN X5CrNi18-10) Stainless Steel	4
11	142-128-24	Plain Washer M10 Kaltgewalztes Blech	4
12	032-434-19	Hose Coupling (for EUR)KTZ(BSPT-2) FC	1
13	121-181-17	Packing KT-15 NBR	1
14	140-488-16	Hex.Bolt (w/Spring Washer) M8x30 SUS304 (EN X5Cr18-10)	4
15	050-420-18	Motor Bracket FC	1
16	122-140-17	O-Ring G-145 NBR	1
17	053-477-19	Motor Protector (380/415-50) KA313-GQXL104 (T.C)	1
18	143-126-12	Pan Screw (w/Spring Washer/Plain Washer) M4x12 SWRM	2
19	009-292-11	Earth Terminal 1.25mmx140L	1
20	143-085-34	Pan Screw (w/Spring Washer) M4x6 C3604 (EN CuZn39Pb3)	1
21	142-389-12	Wave Washer #6204 SK-5	1
22	052-187-16	Bearing (w/O-ring) AC-6204ZZC3	1
23	122-293-16	O-Ring 47x3,1 NBR	1
24	061-174-18	Slinger d20xd27x2t SPC	1
25	058-000-13	Lead Wire Protection Plate d61xd136x2t (Resin)	1
26	055-706-16	Rotor	1
27	147-017-11	Impeller Key 5x5x20l SUS	1
28	056-001-19	Stator 380/400/415V-50Hz	1
29	052-108-13	Bearing 6305ZZC3	1
30	121-507-13	Packing (Water Way, Upp.) KTZ21.5/32.2 NBR	1
31	064-000-10	Motor Frame (FC)	1
32	140-488-16	Hex.Bolt (w/Spring Washer) M8x30 SUS304 (EN X5Cr18-10)	4
33	121-246-11	Packing (Oil Plug) d10.3xd16x2t PE	1
34	035-125-13	Oil Plug M10x20(B=13) SUS304 (EN X5CrNi18-10) Stainless Steel	1
35	025-243-17	Mechanical Seal H-20T SiC	1
36	143-070-23	Pan Screw M5x6 SWRM	2
37	030-144-13	Oil Lifter H-20(A)(T) Resin	1
38	143-070-10	Pan Screw M5x6 SWRM	4
39	030-154-16	Seal Stopper H-20T SPCC	1
40	122-139-13	O-Ring G-140 NBR	1
41	121-501-17	Packing (Water Way, Low.) KTZ21.5/22.2 NBR	1
42	020-001-01	Pump Casing KTZ21.5/32.2 FC	1
43	026-105-19	Oil Seal TC-25388 NBR	1
44	071-314-13	Shaft Sleeve d20xd25x16l SUS304 (EN X5CrNi18-10) Stainless Steel	1
45	040-104-25	Impeller Shim d18.2xd29x0.3t SUS304 (EN X5CrNi18-10) Stainless Steel	1
46	021-554-12	Impeller (50Hz) 15H/50Hz HiCrFC	1
47	142-129-12	Plain Washer M12 SUS304 (EN X5CrNi18-10)	1
48	024-124-18	Clutch KTR-22S S45C	1
49	024-000-04	StirerKT D22.0 FCD	1
50	142-128-11	Plain Washer M10 SUS304 (EN X5CrNi18-10)	1
51	142-164-19	Spring Washer M10 SUS304 (EN X5CrNi18-10)	1
52	141-031-13	Hex.Cap Nut M10 SUS304 (EN X5CrNi18-10) Stainless Steel	1
53	120-110-12	Packing (S.Cover) d150xd186x0.3t PE	1
54	022-000-52	Suction Cover KTZ21.5/22.5 (FCD)	1
55	142-127-23	Plain Washer M8 SPC	3
56	144-000-63	Stud Bolt M8-22xM8-17x59L DIN 1.4006 (EN X12Cr13) Edelstahl	3
57	023-218-17	Strainer Stand KTR-22S SS	1
58	142-163-18	Spring Washer M8 SUS304 (EN X5Cr18-10)	3
59	141-005-18	Hex.Nut M8 SUS304 (EN X5CrNi18-10)	3
	173-513-13	Packing & O-Ring Set	1
	183-008-11	"Impeller Puller "A Type No.3 1""	1
	##oilVG32	ml Turbine Oil ISO VG32	740

# Exploded View KTD22.0-51



**KTD22.0-51**