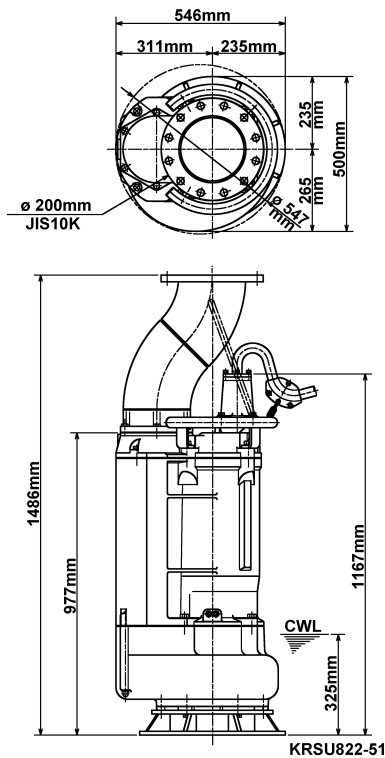
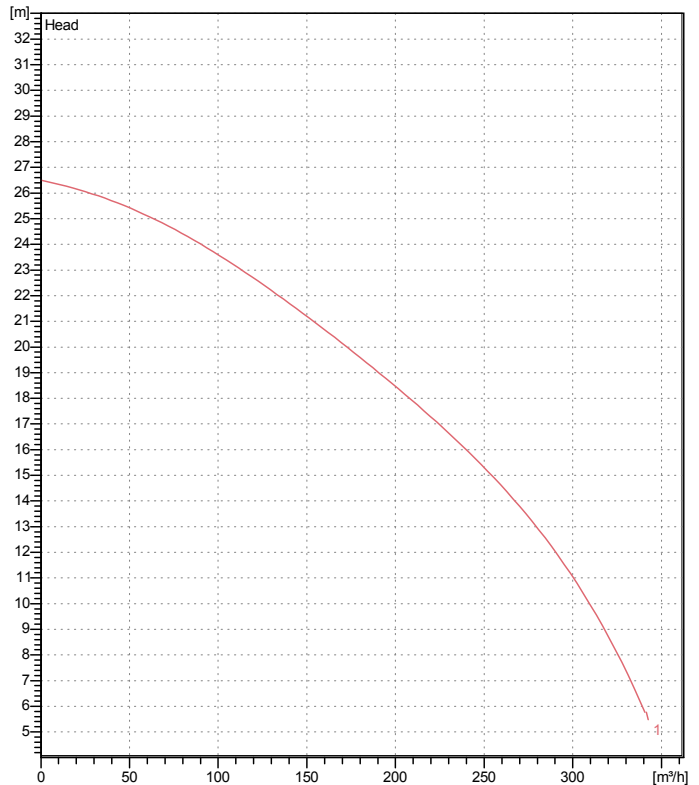


Data sheet KRSU822-51



CWL: Continuous running water level



Specification

Electric submersible pump
 Degree of protection IP 68
 Pressure resistance max. 20 m
 Type of impeller Semi-open
 Max. solid handling 56 mm
 Suitable for:
 rain water, ground water, sand water

Electric motor

Dry-type submersible induction motor
 Insulation class F 4Poles 1455 1/min
 Starting mode Directly
 Rated voltage 400 V 50 Hz 3~
 Power uptake 27.09 kW
 Rated power 22.00 kW
 Rated current 44.6 A
 Start current 316.2 A

Cable

20m NSSHÖU 4Cx10mm²

Motor Protection

Circle thermal protector
 (snap-action bi-metal device)

Shaft seal

Double inside mechanical seal in oil bath
 additional lubrication by oil lifting device
 Primary seal
 Silicon carbide on silicon carbide
 Secondary seal
 Silicon carbide on silicon carbide

Bearings

Shielded ball bearings, maintenance-free

Materials

Impeller	FC200 (EN-GJL-200)
Pump casing	FC200 (EN-GJL-200)
Suction cover	FC200 (EN-GJL-200)
Motor Frame	FC200 (EN-GJL-200)
Shaft	SUS420J2 (EN-X30Cr13)

Discharge size

200mm JIS10K flange

Weight

380 kg (dry weight of the pump only without cable)

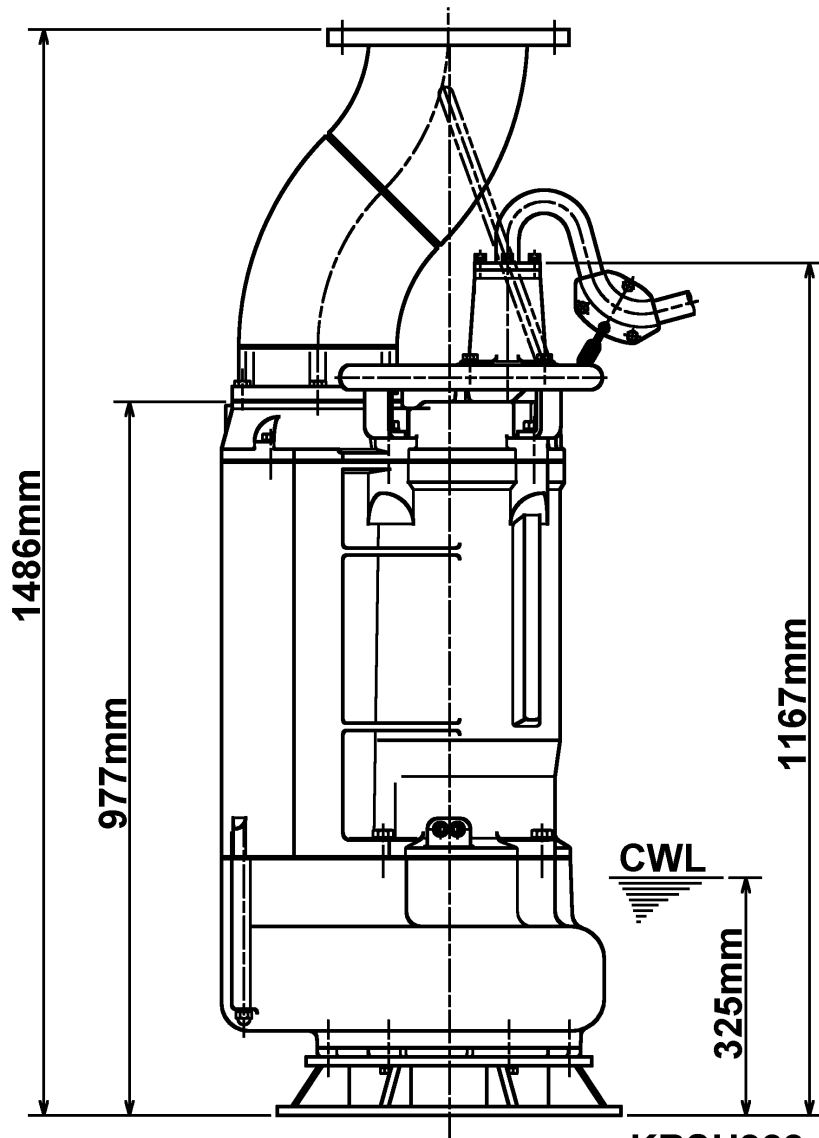
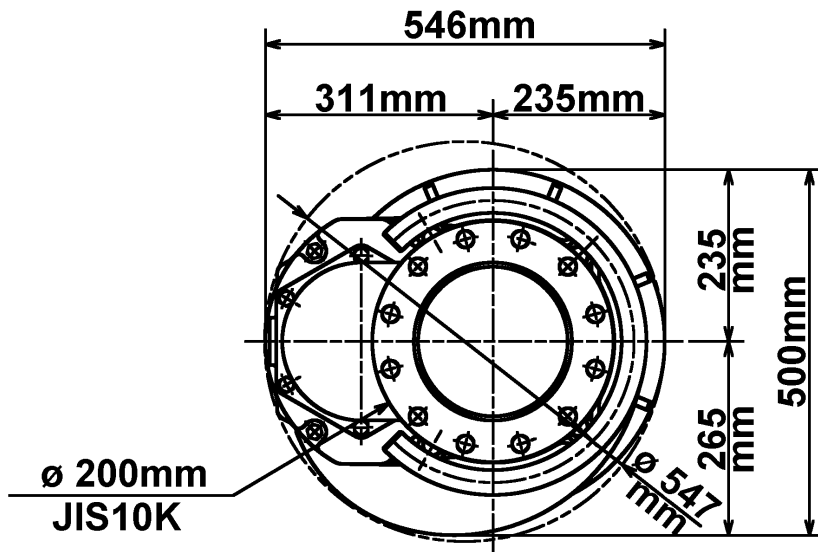
Performance curve

KRSU822-51

Discharge port	8"
Head	26.5 m
Flow	340.7 m ³ /h
Rated power	22.00 kW
Power input	27.09 kW
Phases	3~
Voltages	400 V
Frequency	50 Hz
Rated current	44.6 A
Starting current	316.21 A
Number of poles	4
Speed	1455 1/min
Starting mode	Directly
Insulation class	F



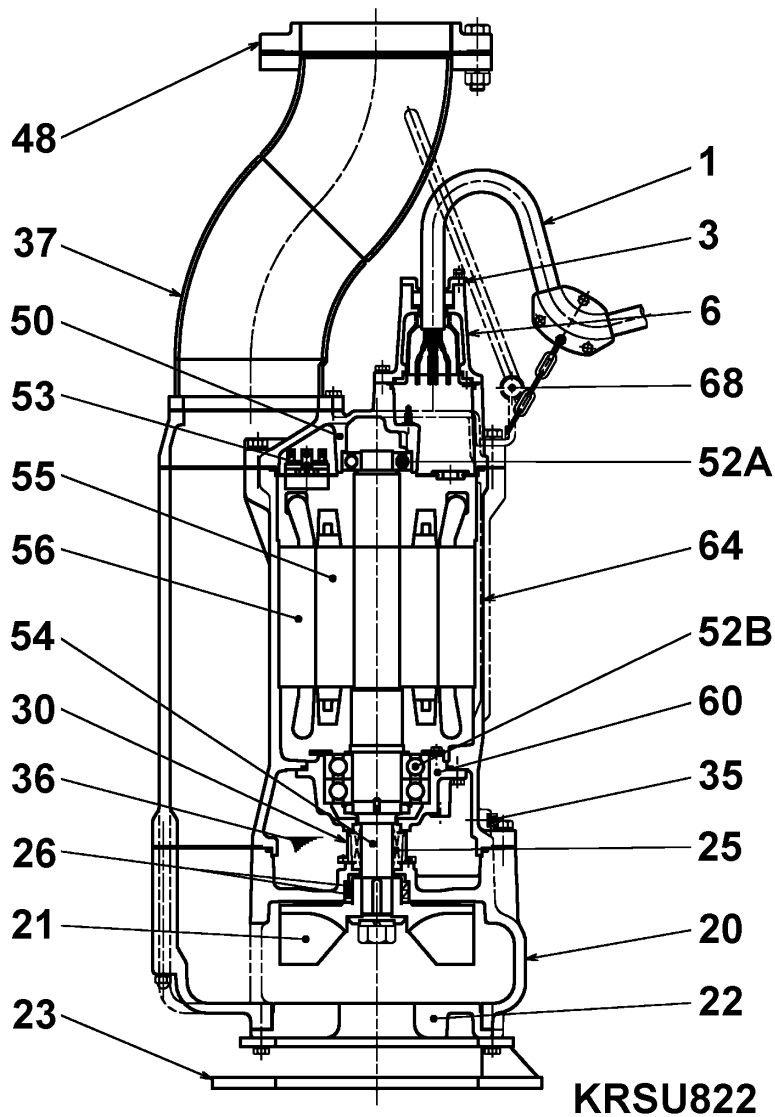
Dimensions KRSU822-51



KRSU822-51

CWL: Continuous running water level
LWL: Lowest running water level

Sectional drawing KRSU822-51



KRSU822

No.	Description	Remark	No.	Description	Remark
1	Cable	20m NSSHÖU	52B	Lower bearing	6314ZZC3
3	Gland	FC200 (EN-GJL-200)	53	Motor Protector 380/400/415V	50Hz KA314-HRXL00 (H.C)
6	Stuffing box	FC200 (EN-GJL-200)	54	Shaft	SUS420J2 (EN-X30Cr13)
20	Pump casing	FC200 (EN-GJL-200)	55	Rotor	.
21	Impeller	FC200 (EN-GJL-200)	56	Stator	.
22	Suction cover	FC200 (EN-GJL-200)	60	Bearing Housing	FC200 (EN-GJL-200)
23	Strainer	Construction steel SS400	64	Motor Frame	FC200 (EN-GJL-200)
25	Mechanical seal	H-45	68	Handle	Steel plate / steel pipe
26	Oil seal	TC709212			
30	Ölverteiler	Plastic			
35	Oil screw	SUS304 (EN-X5CrNi18-10)			
36	Lubricant	Turbine oil (ISO VG32)			
37	Auslaßbogen	Steel plate / steel pipe			
48	Screwed Flange	FC200 (EN-GJL-200)			
50	Main cover	FC200 (EN-GJL-200)			
52A	Upper bearing	6309ZZC3			