

**KRS822L-51**

Kontroll-Nr. --

2016-01-29 V.18 / 1.10.2015

KRS822L-51			
Item	Item no.	Description	Quant.
1	001-TEG-37	Cable Set (20m) H07RN-F4Cx10mm <sup>2</sup> without stuffing box	1
1	M01-TEG-37	Cable Set (20m) NSSHÖU 4Cx10mm <sup>2</sup>	1
2	010-128-19	Cable Clip Rubber 75x80x2t NBR	2
3	010-101-16	Cable Clip No.3 SPC	2
4	140-035-27	Hex.Bolt M6x20 SUS304 (EN X5CrNi18-10) Stainless Steel	3
5	141-004-17	Hex.Nut 380/440/460V-60Hz M6 SUS304 (EN X5Cr18-10)	3
6	011-101-19	Shackle 6mm SS	2
7	095-131-18	Chain d4(3-Link) SS	1
8	140-035-27	Hex.Bolt M6x20 SUS304 (EN X5CrNi18-10) Stainless Steel	2
9	070-107-18	Cable Clamp FC	1
10	140-055-23	Hex.Bolt M8x25 SUS304 (EN X5CrNi18-10) Stainless Steel	4
11	006-127-15	Stuffing Box No.3 FC	1
12	008-145-15	Mould Cover KR3-7 CR	1
13	009-128-15	Terminal E (middle) CU	3
14	009-118-12	Terminal(C/W Screw) d12x(d8xd8)x25l BSBM	3
15	002-115-18	Heat Shrink Tube (Sold per meter) EVA(d16.5x1t) (V/m)	1
16	002-116-19	Heat Shrink Tube (Sold per meter) A4(d19x0.35t) (V/m)	1
17	009-128-15	Terminal E (middle) CU	3
18	009-107-18	Terminal R-14-6 CU	1
19	140-078-19	Hex.Bolt M10x35 SUS304 (EN X5CrNi18-10)	4
20	142-164-19	Spring Washer M10 SUS304 (EN X5CrNi18-10)	4
21	042-106-18	Stuffing Box Sheet 11KW FC	1
22	122-135-19	O-Ring G-120 NBR	1
23	140-098-15	Hex.Bolt M12x35 SUS304 (EN X5Cr18-10)	6
24	032-141-29	Hose Coupling 200mm(KRS Type) FC	1
25	121-144-18	Packing KRZ8 Type(P.C.236xd190) NBR	1
26	140-130-10	Hex.Bolt M16x70 SUS304 (EN X5Cr18-10)	4
27	142-166-11	Spring Washer M16 SUS304 (EN X5Cr18-10)	4
28	068-000-41	Handle KRS819/22-51/61 SGP+SS	1
29	143-041-12	Pan Screw M6x8 SWRM	1
30	140-127-14	Hex.Bolt M16x55 SUS304 (EN X5CrNi18-10) Stainless Steel	1
31	142-166-11	Spring Washer M16 SUS304 (EN X5Cr18-10)	1
32	140-101-12	Hex.Bolt M12x50 SUS304 (EN X5CrNi18-10) Stainless Steel	2
33	142-165-10	Spring Washer M12 SUS304 (EN X5Cr18-10)	2
34	050-001-08	Motor Bracket FC	1
35	122-160-13	O-Ring (MBracket/MFrame) G-290(289.3xd5.7) NBR	1
36	121-001-44	Packing (Water Way, Upp.) KRS819/822-51/61 SBR	1
37	143-032-10	Pan Screw M5x16 SWRM	2
38	142-112-25	Plain Washer M5 SPC	2
39	053-	Motor Protector	1
40	141-004-59	Hex.Nut M6 SWRM	3
41	142-000-30	Spring Washer M6 SWRM	3
42	009-107-18	Terminal R-14-6 CU	3
43	140-030-35	Hex.Bolt M6x12 SWRM	3
44	016-000-04	Lead Wire Protection Bush d21xd52x11t SBR	2
45	058-000-38	Lead Wire Protection Plate d14xd290x1t SPCC	1
46	142-000-70	Wave Washer d83xd99x0.9t SK5	1
47	052-112-10	Bearing 6309ZZC3	1
48	056-	Stator	1
49	140-126-13	Hex.Bolt M16x50 SUS304 (EN X5CrNi18-10) Stainless Steel	4
50	142-166-11	Spring Washer M16 SUS304 (EN X5Cr18-10)	4
51	064-001-22	Motor Frame FC	1
52	035-113-18	Oil Plug M12x14 SUS304 (EN X5Cr18-10)	2
53	121-247-12	Packing (Oil Plug) d12.3xd18x2t PE	2
54	144-148-13	Stud Bolt M12x175(18/18) SUS403 (EN X6Cr13) Stainless Steel	2
55	122-161-14	O-Ring G-300 NBR	1
56	121-001-41	Packing (Water Way, Low.) KRS819/822-51/61 NBR	1
57	055-002-80	Rotor	1
58	147-057-13	Impeller Key 12x8x50L SUS420	1
59	061-000-17	Slinger d90xd70x3t SPCC	1
60	140-054-48	Hex.Bolt M8x20 SWRM	4
61	062-000-21	Bearing Fixing Plate d130xd190x4.5t SS	1
62	052-145-12	Bearing 6314ZZD2C3	1
63	142-247-17	Bearing Washer AW14 SPCC	1
64	141-079-13	Bearing Nut AN14 SS	1
65	122-151-11	O-Ring G-205 (NBR)	1
66	060-001-74	Bearing Housing FC	1
67	142-164-35	Spring Washer M10 SWRH	4
68	140-076-33	Hex.Bolt M10x30 SWRM	4
69	025-000-62	Mechanical Seal HE-45A Type (SiC)	1
70	143-070-23	Pan Screw M5x6 SWRM	2
71	030-140-19	Oil Lifter For H-45 Resin	1
72	143-070-10	Pan Screw M5x6 SWRM	3
73	030-149-18	Seal Stopper For H-40/45 SPCC	1
74	020-464-11	Pump Casing KRS-8H/8M Type FC	1
75	142-165-10	Spring Washer M12 SUS304 (EN X5Cr18-10)	2
76	141-032-14	Hex.Cap Nut M12 SUS304	2
77	026-117-14	Oil Seal TC-709212 NBR	2
78	040-111-12	Impeller Shim d42.5xd59x0.3t SUS304 (EN X5CrNi18-10) Stainless Steel	2
79	021-320-17	Impeller (50HZ) For KRS-822L FCD	1
80	142-387-10	Impeller Fixing Washer d31xd8x13t SUS304 (EN X5CrNi18-10) Stainless Steel	1
81	142-171-19	Spring Washer M8 SUS304 (EN X5CrNi18-10) Stainless Steel	1

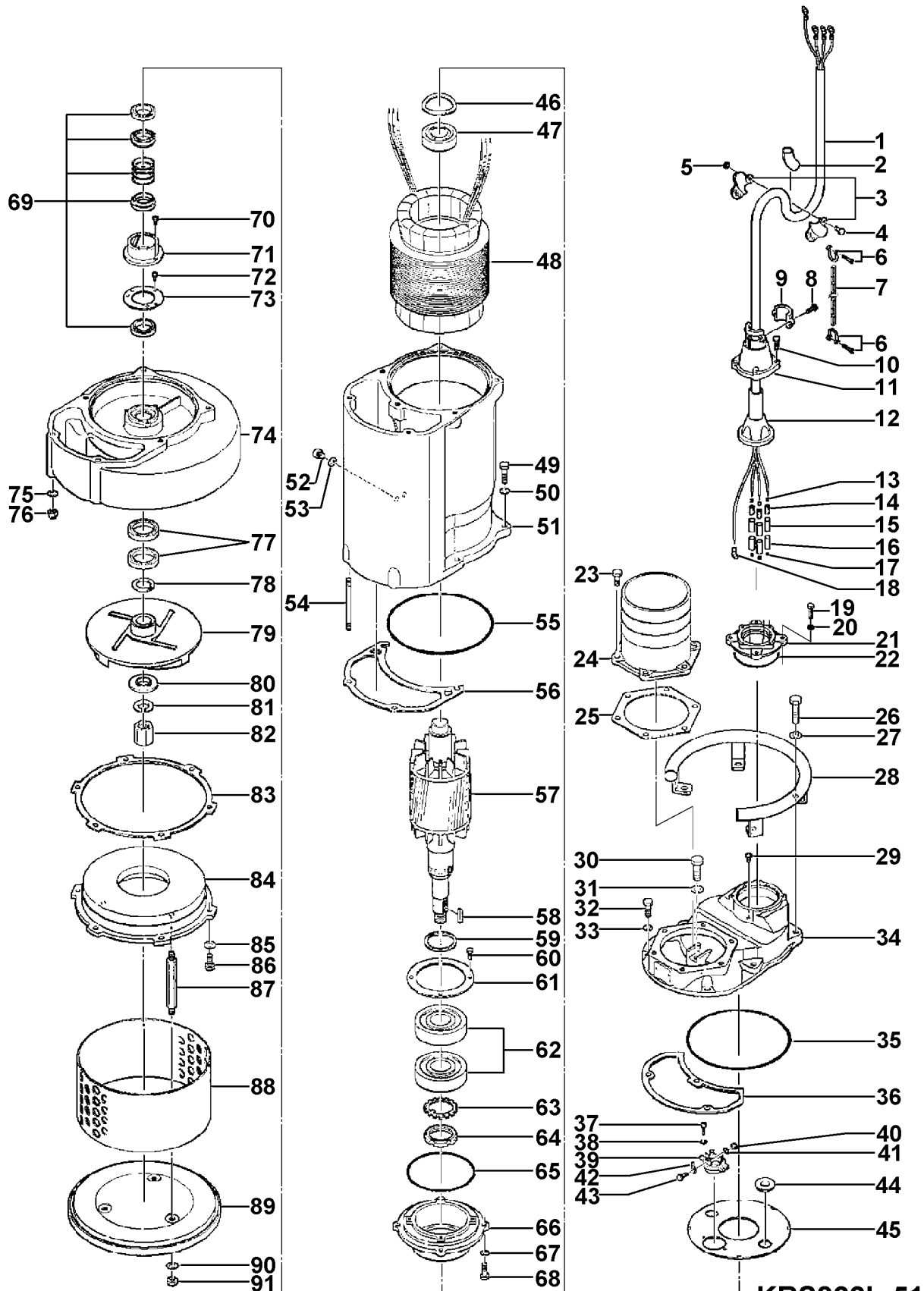
**KRS822L-51**

Kontroll-Nr. --

2016-01-29 V.18 / 1.10.2015

KRS822L-51			
Item	Item no.	Description	Quant.
82	157-005-17	Impeller Nut M80,P3.5(Hex.Cap Nut) S35C	1
83	120-106-15	Packing (S.Cover) d360xd390x0.5t PE	2
84	022-143-17	Suction Cover KRS-D8/B8 Ttype FC	1
85	142-129-25	Plain Washer M12 SPC	6
86	140-098-15	Hex.Bolt M12x35 SUS304 (EN X5Cr18-10)	6
87	144-127-29	Stud Bolt M12x207(20/20) SUS403 (EN X6Cr13) Stainless Steel	3
88	023-120-11	Strainer KRZ-19/22KW Type SPC	1
89	049-117-15	Bottom Plate FCD	1
90	142-129-25	Plain Washer M12 SPC	3
91	141-007-10	Hex.Nut M12 SUS304 (EN X5CrNi18-10)	3
	173-003-17	Packing O-Ring Set	1
	##oilVG32	ml Turbine Oil ISO VG32	6500

# Exploded View KRS822L-51



**KRS822L-51**