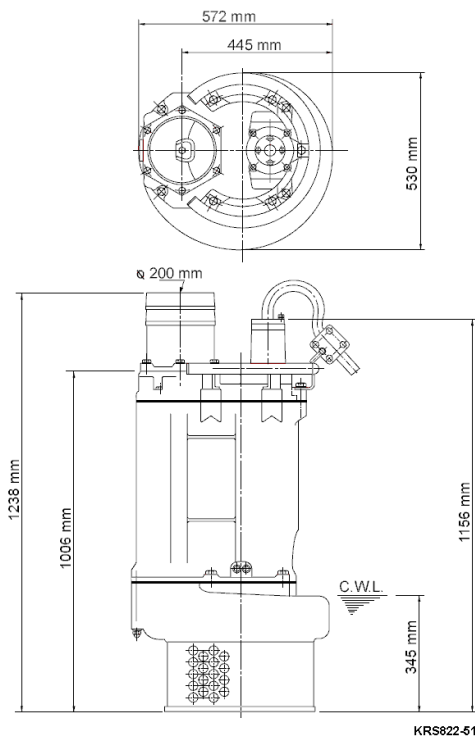
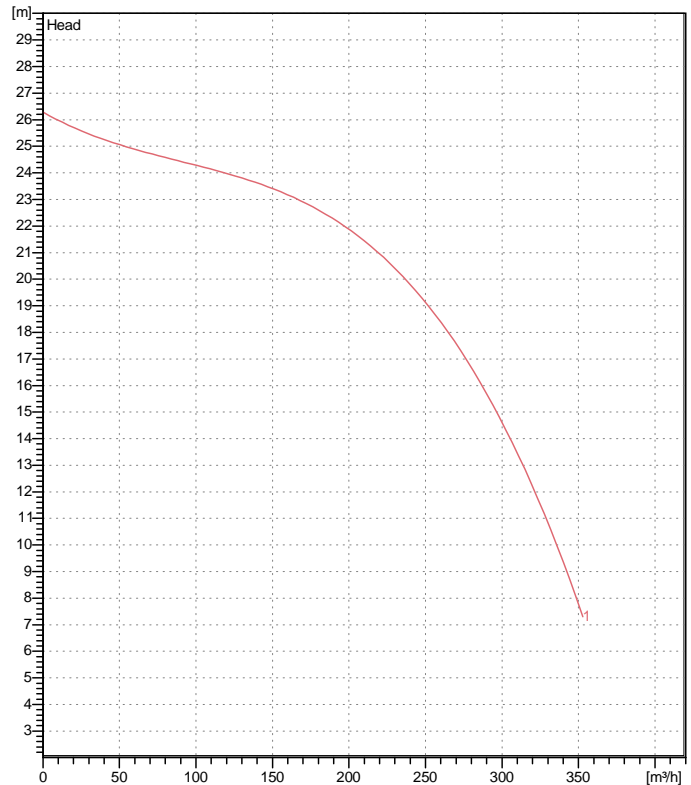


# Data sheet KRS822L-51



CWL: Continuous running water level



## Specification

Electric submersible pump  
 Degree of protection IP 68  
 Depth of submersion max. 20 m  
 Type of impeller Semi-open  
 Max. solid handling 25 mm  
 Suitable for:  
 rain water, ground water, sand water

## Electric motor

Dry-type submersible induction motor  
 Insulation class F 4Poles 1455 1/min  
 Starting mode Directly  
 Rated voltage 400 V 50 Hz 3~  
 Power uptake 27,09 kW  
 Rated power 22,00 kW  
 Rated current 44,6 A  
 Start current 316,2 A

## Cable

20m NSSHÖU 4Cx10mm<sup>2</sup>

## Motor Protection

Circle thermal protector  
 (snap-action bi-metal device)

## Shaft seal

Double inside mechanical seal in oil bath  
 additional lubrication by oil lifting device

Primary seal  
 Silicon carbide on silicon carbide  
 Secondary seal  
 Silicon carbide on silicon carbide

## Bearings

Shielded ball bearings, maintenance-free

## Materials

Impeller	FCD700 (EN-GJS-700-2)
Pump casing	FC200 (EN-GJL-200)
Suction cover	FC200 (EN-GJL-200)
Motor Frame	FC200 (EN-GJL-200)
Shaft	SUS420J2 (EN-X30Cr13)

## Discharge size

8" (200mm) hose coupling

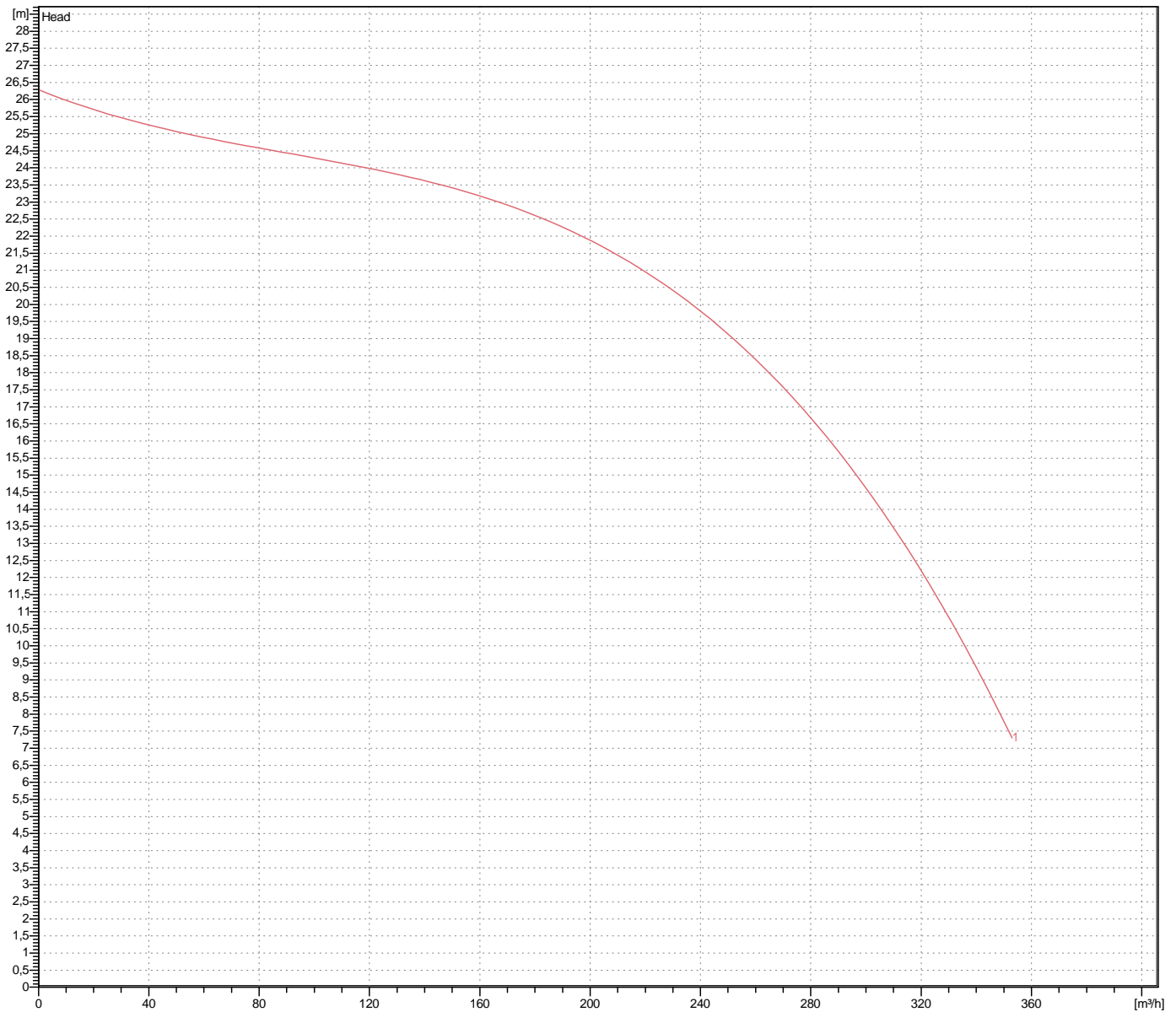
## Weight

380 kg (dry weight of the pump only without cable)

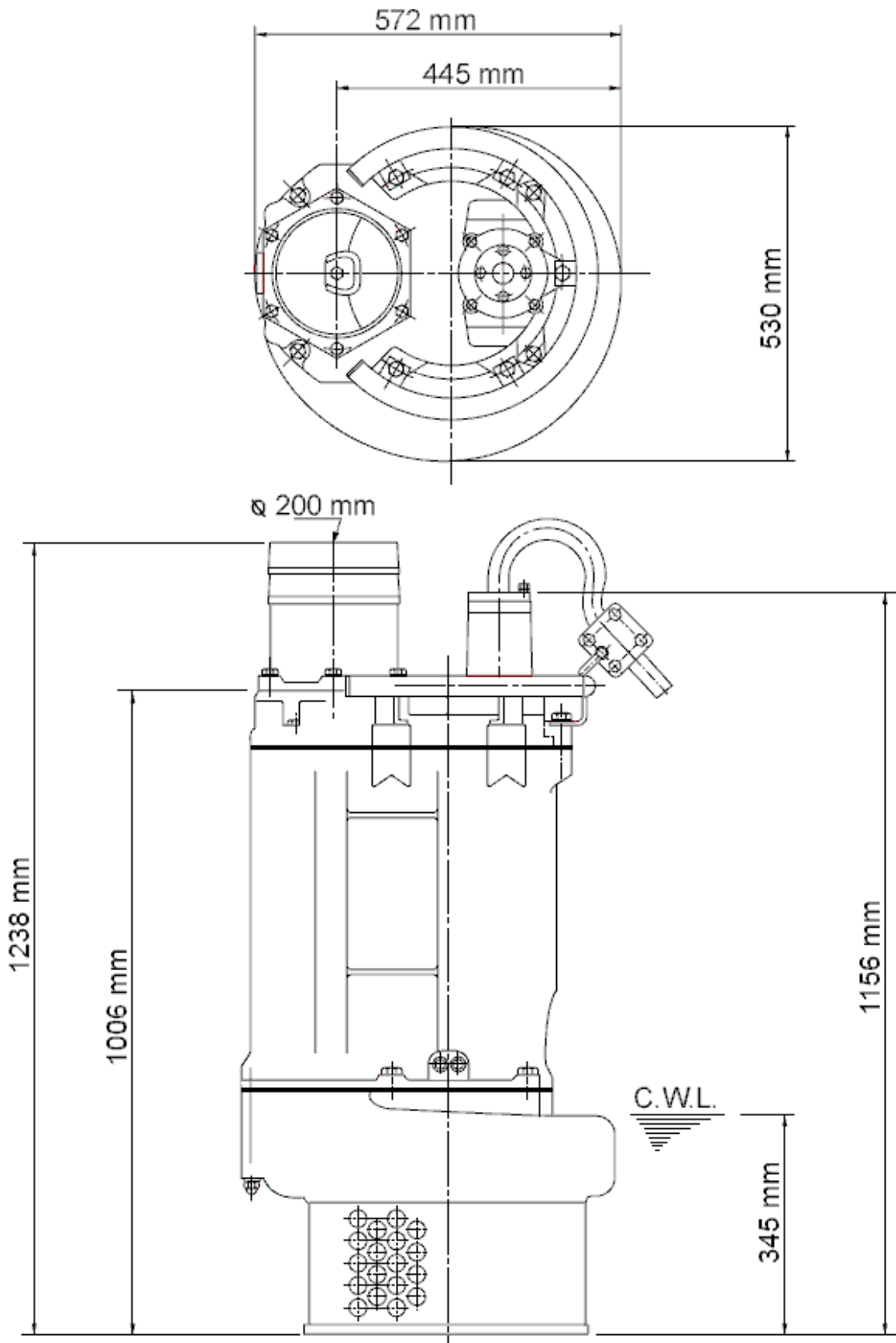
# Performance curve

## KRS822L-51

Discharge port	8"
Head	26,3 m
Flow	353,0 m <sup>3</sup> /h
Rated power	22,00 kW
Power input	27,09 kW
Phases	3~
Voltages	400 V
Frequency	50 Hz
Rated current	44,6 A
Starting current	316,21 A
Number of poles	4
Speed	1455 1/min
Starting mode	Directly
Insulation class	F



# Dimensions KRS822L-51



KRS822-51

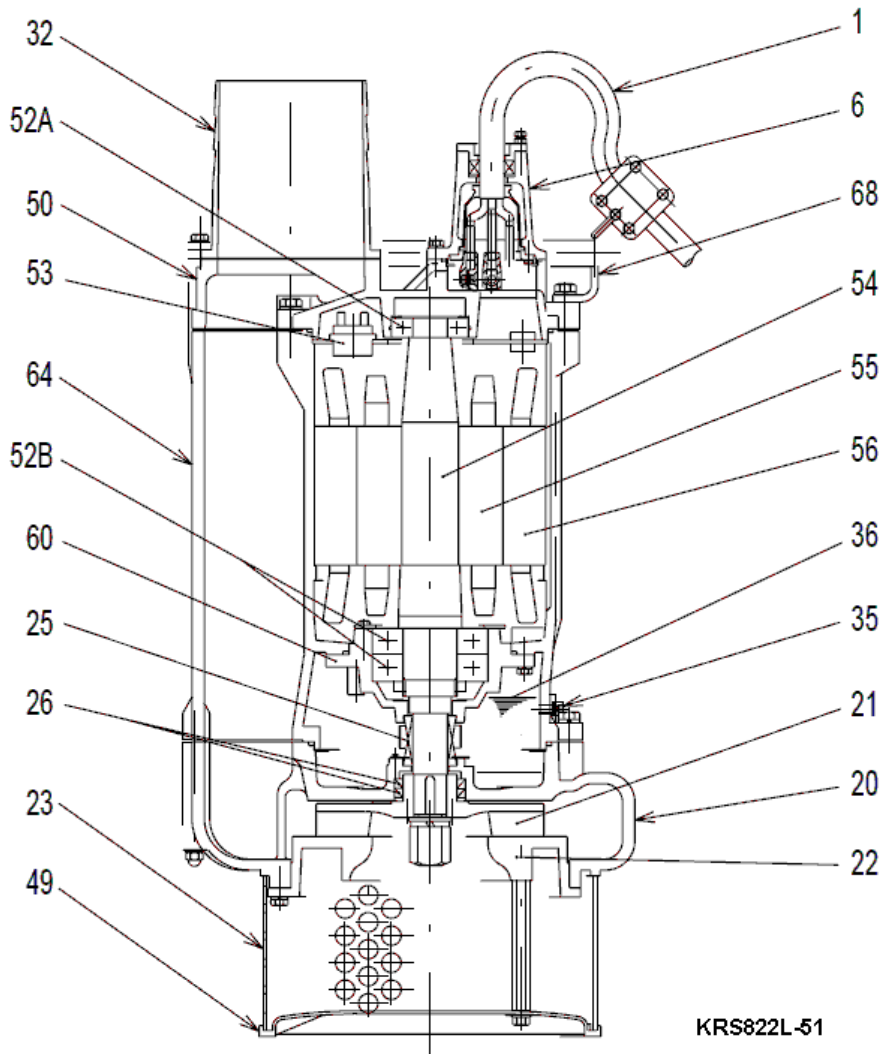
CWL: Continuous running water level  
LWL: Lowest running water level

 **TSURUMI PUMP**

Tsurumi Europe GmbH  
27.01.2016 V.18 / 1.10.2015

Helstorfer Str. 14 \* 40472 Düsseldorf \* Germany  
Tel.: +49-211-4179373 sales@tsurumi.eu  
Fax: +49-211-417937-480 www.tsurumi.eu

# Sectional drawing KRS822L-51



KRS822L-51

No.	Description	Remark	No.	Description	Remark
1	Cable	20m NSSHÖU	54	Shaft	SUS420J2 (EN-X30Cr13)
6	Stuffing box	FC200 (EN-GJL-200)	55	Rotor	.
20	Pump casing	FC200 (EN-GJL-200)	56	Stator	.
21	Impeller	FCD700 (EN-GJS-700-2)	60	Bearing Housing	FC200 (EN-GJL-200)
22	Suction cover	FC200 (EN-GJL-200)	64	Motor Frame	FC200 (EN-GJL-200)
23	Strainer	Steel plate	68	Handle	electroplated steel pipe
25	Mechanical seal	H-45X			
26	Oil seal	TC709212			
32	Discharge coupling	FC200 (EN-GJL-200)			
35	Oil screw	SUS304 (EN-X5CrNi18-10)			
36	Lubricant	Turbine oil (ISO VG32)			
49	Bottom Plate	Steel plate SPCC			
50	Main cover	FC200 (EN-GJL-200)			
52A	Upper bearing	6309ZZC3			
52B	Lower bearing	6314ZZC3			
53	Motor Protector 380/400/415V-50Hz KA314-HRXL00 (H.C)				