

**KRS815-51**

Kontroll-Nr. --

2016-01-29 V.18 / 1.10.2015

KRS815-51			
Item	Item no.	Description	Quant.
1	001-TEG-08	Cable Set (20m) H07RN-F4Cx6mm <sup>2</sup> without stuffing box	1
1	M01-TEG-08	Cable Set (20m) NSSHÖU 4Cx6mm <sup>2</sup>	1
2	010-128-19	Cable Clip Rubber 75x80x2t NBR	2
3	010-101-16	Cable Clip No.3 SPC	2
4	140-035-27	Hex.Bolt M6x20 SUS304 (EN X5CrNi18-10) Stainless Steel	3
5	141-004-17	Hex.Nut 380/440/460V-60Hz M6 SUS304 (EN X5Cr18-10)	3
6	011-101-19	Shackle 6mm SS	2
7	095-131-18	Chain d4(3-Link) SS	1
8	140-035-27	Hex.Bolt M6x20 SUS304 (EN X5CrNi18-10) Stainless Steel	2
9	070-107-18	Cable Clamp FC	1
10	140-055-23	Hex.Bolt M8x25 SUS304 (EN X5CrNi18-10) Stainless Steel	4
11	006-127-15	Stuffing Box No.3 FC	1
12	008-147-17	Mould Cover KR3-9 CR	1
13	009-125-12	Terminal E (Small) CU	3
14	009-101-12	Terminal(C/W Screw) d12x(d6.6xd6.6)x25l BSBM	3
15	002-129-15	Heat Shrink Tube (Sold per meter) EVA(d14x1t) (Vm)	1
16	002-132-11	Heat Shrink Tube (Sold per meter) A4(d17x0.3t) (Vm)	1
17	009-128-15	Terminal E (middle) CU	3
18	009-107-18	Terminal R-14-6 CU	1
19	140-098-15	Hex.Bolt M12x35 SUS304 (EN X5Cr18-10)	6
20	032-141-29	Hose Coupling 200mm(KRS Type) FC	1
21	121-144-18	Packing KR28 Type(P.C.236xd190) NBR	1
22	140-102-13	Hex.Bolt M12x55 SUS304 (EN X5Cr18-10)	4
23	142-165-10	Spring Washer M12 SUS304 (EN X5Cr18-10)	4
24	070-000-65	L-Shape Fitting KRS815-51/61 SS	1
25	068-000-37	Handle KRS815-51/61 SGP+SS	1
26	016-000-10	Lead Wire Protection Bush	2
27	143-042-13	Pan Screw M6x10 SWRM	1
28	142-162-33	Spring Washer M6 SWRH	1
29	140-100-11	Hex.Bolt M12x45 SUS304 (EN X5Cr18-10)	3
30	142-165-10	Spring Washer M12 SUS304 (EN X5Cr18-10)	3
31	050-001-07	Motor Bracket FC	1
32	122-158-18	O-Ring (Fixing Plate/MBracket) G-270(269.3xd5.7) NBR	1
33	121-001-43	Packing (Water Way, Md.) KRS815-51/61 SBR	1
34	143-017-19	Pan Screw M4x14 SWRM	2
35	142-111-24	Plain Washer M4(D=8) SPC	2
36	053-	Motor Protector	1
37	016-000-04	Lead Wire Protection Bush d21xd52x1t SBR	2
38	058-000-37	Lead Wire Protection Plate d110xd270x1t SPCC	1
39	142-000-70	Wave Washer d83xd99x0.9t SK5	1
40	052-112-10	Bearing 6309ZZC3	1
41	056-	Stator	1
42	064-001-21	Motor Frame FC	1
43	035-113-18	Oil Plug M12x14 SUS304 (EN X5Cr18-10)	2
44	121-247-12	Packing (Oil Plug) d12.3xd18x2t PE	2
45	140-100-11	Hex.Bolt M12x45 SUS304 (EN X5Cr18-10)	4
46	142-165-10	Spring Washer M12 SUS304 (EN X5Cr18-10)	4
47	122-156-16	O-Ring G-250 NBR	1
48	121-131-12	Packing (Water Way, Low.) KRS-8L NBR	1
49	055-002-78	Rotor	1
50	147-031-11	Impeller Key 10x8x45L SUS420	1
51	061-000-16	Slinger d55xd75x3t SPCC	1
52	140-054-48	Hex.Bolt M8x20 SWRM	3
53	062-000-23	Bearing Fixing Plate 6312(d105xd155x4.5t) SS	1
54	052-131-15	Bearing 6311ZZC3	1
55	146-031-18	Retaining Ring C55 SK-5	1
56	122-145-12	O-Ring G-170 NBR	1
57	060-001-73	Bearing Housing FC	1
58	142-164-35	Spring Washer M10 SWRH	4
59	140-076-33	Hex.Bolt M10x30 SWRM	4
60	025-000-61	Mechanical Seal H-40 SiC	1
61	143-070-23	Pan Screw M5x6 SWRM	2
62	030-141-10	Oil Lifter For H-40(T) Resin	1
63	143-070-10	Pan Screw M5x6 SWRM	3
64	030-149-18	Seal Stopper For H-40/45 SPCC	1
65	020-414-16	Pump Casing KRS-8L FC	1
66	142-165-10	Spring Washer M12 SUS304 (EN X5Cr18-10)	1
67	140-116-10	Hex.Bolt M12x140 SUS304 (EN X5CrNi18-10) Stainless Steel	1
68	026-111-18	Oil Seal TC-456812 NBR	1
69	071-131-30	Shaft Sleeve KRS-8L SUS403 (EN X6Cr13) Stainless Steel	1
70	040-122-16	Impeller Shim d35.2xd45.2x0.3t SUS304 (EN X5CrNi18-10) Stainless Steel	2
71	021-568-22	Impeller (50Hz) 50Hz FCD	1
72	047-107-16	Impeller Thread Protect.Cover No.6(33) SPC	1
73	142-171-19	Spring Washer M30 SUS304 (EN X5CrNi18-10) Stainless Steel	1
74	157-010-15	Impeller Nut M30,P3.5(B=41,Hex.Cap Nut) S35C	1
75	120-105-14	Packing d291xd348x0.5t PE	2
76	022-380-21	Suction Cover D6 FC	1
77	142-129-25	Plain Washer M12 SPC	3
78	144-125-27	Stud Bolt M12x182(20/30) SUS403 (EN X6Cr13) Stainless Steel	3
79	142-129-25	Plain Washer M12 SPC	3
80	140-097-14	Hex.Bolt M12x30 SUS304 (EN X5CrNi18-10)	3
81	023-244-12	Strainer KRS-8L SPC	1

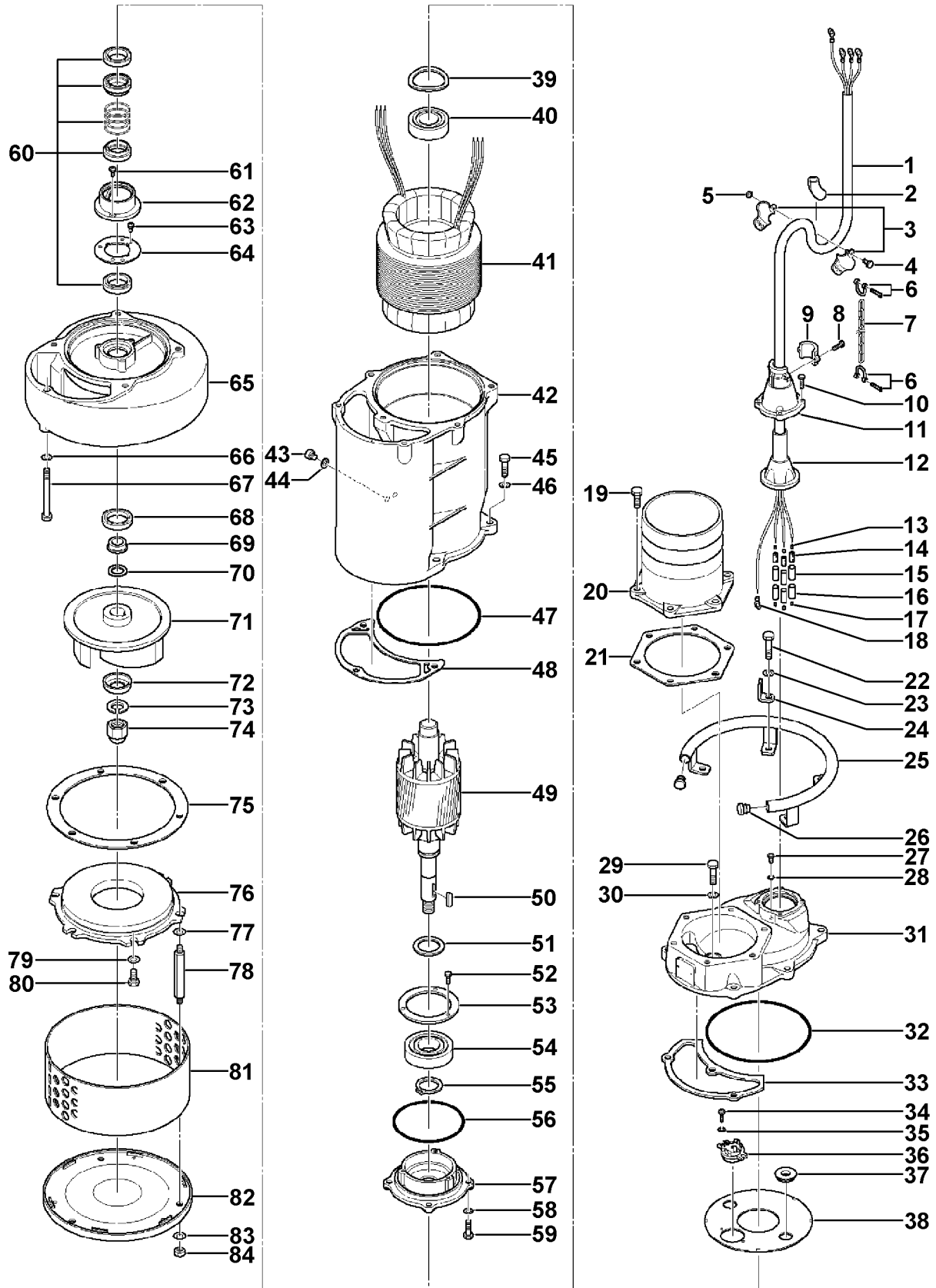
KRS815-51

Kontroll-Nr. --

2016-01-29 V.18 / 1.10.2015

KRS815-51			
Item	Item no.	Description	Quant.
82	049-135-19	Bottom Plate KRS-8L FCMB	1
83	142-129-25	Plain Washer M12 SPC	3
84	141-007-10	Hex.Nut M12 SUS304 (EN X5CrNi18-10)	3
	173-003-16	Packing O-Ring Set	1
	##oilVG32	ml Turbine Oil ISO VG32	3200

# Exploded View KRS815-51



**KRS815-51**