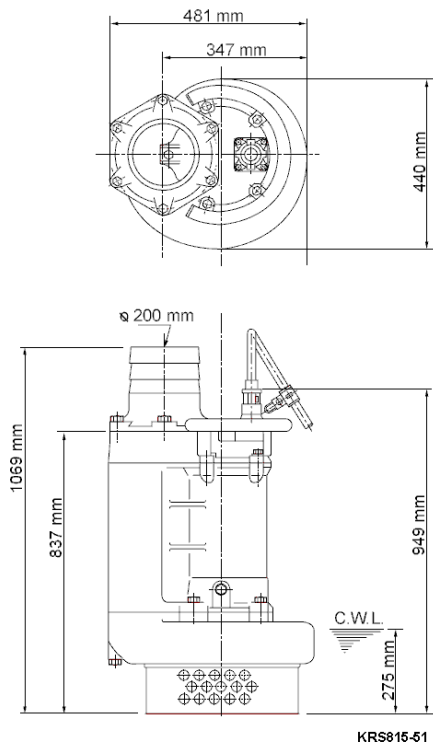
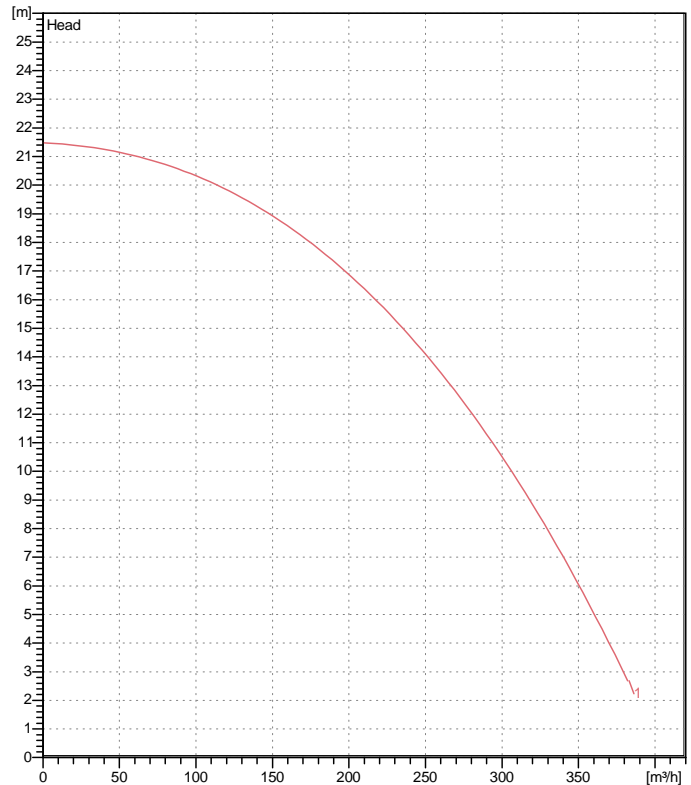


Data sheet KRS815-51



CWL: Continuous running water level



Specification

Electric submersible pump
 Degree of protection IP 68
 Depth of submersion max. 20 m
 Type of impeller Semi-open
 Max. solid handling 25 mm
 Suitable for:
 rain water, ground water, sand water

Electric motor

Dry-type submersible induction motor
 Insulation class F 4Poles 1450 1/min
 Starting mode Directly
 Rated voltage 400 V 50 Hz 3~
 Power uptake 18,89 kW
 Rated power 15,00 kW
 Rated current 31,9 A
 Start current 208,0 A

Cable

20m NSSHÖU 4Cx6mm²

Motor Protection

Circle thermal protector
 (snap-action bi-metal device)

Shaft seal

Double inside mechanical seal in oil bath
 additional lubrication by oil lifting device
 Primary seal
 Silicon carbide on silicon carbide
 Secondary seal
 Silicon carbide on silicon carbide

Bearings

Shielded ball bearings, maintenance-free

Materials

Impeller	FCD700 (EN-GJS-700-2)
Pump casing	FC200 (EN-GJL-200)
Suction cover	FC200 (EN-GJL-200)
Motor Frame	FC200 (EN-GJL-200)
Shaft	SUS420J2 (EN-X30Cr13)

Discharge size

8" (200mm) hose coupling

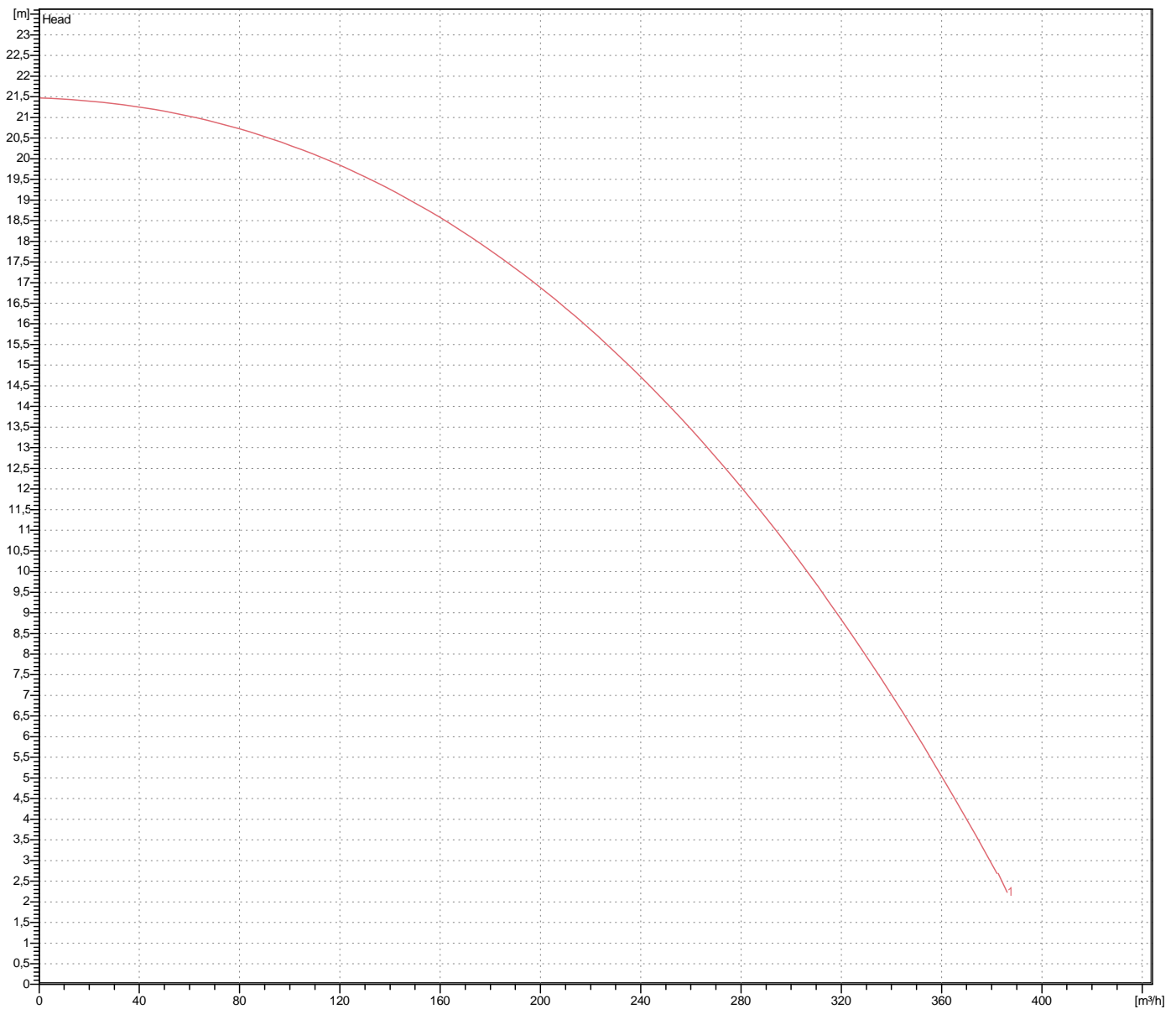
Weight

240 kg (dry weight of the pump only without cable)

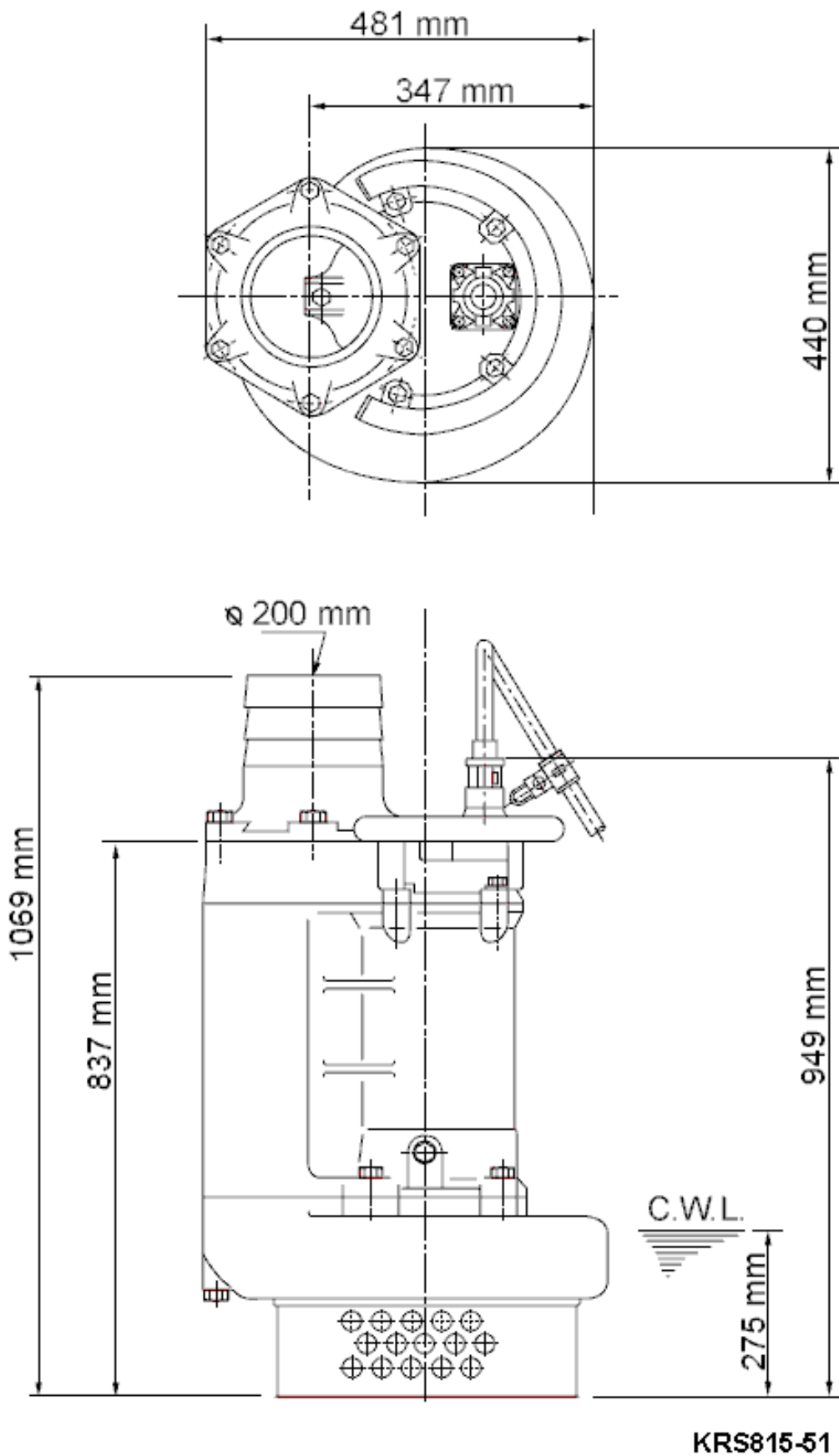
Performance curve

KRS815-51

Discharge port	8"
Head	21,5 m
Flow	382,1 m ³ /h
Rated power	15,00 kW
Power input	18,89 kW
Phases	3~
Voltages	400 V
Frequency	50 Hz
Rated current	31,9 A
Starting current	207,99 A
Number of poles	4
Speed	1450 1/min
Starting mode	Directly
Insulation class	F

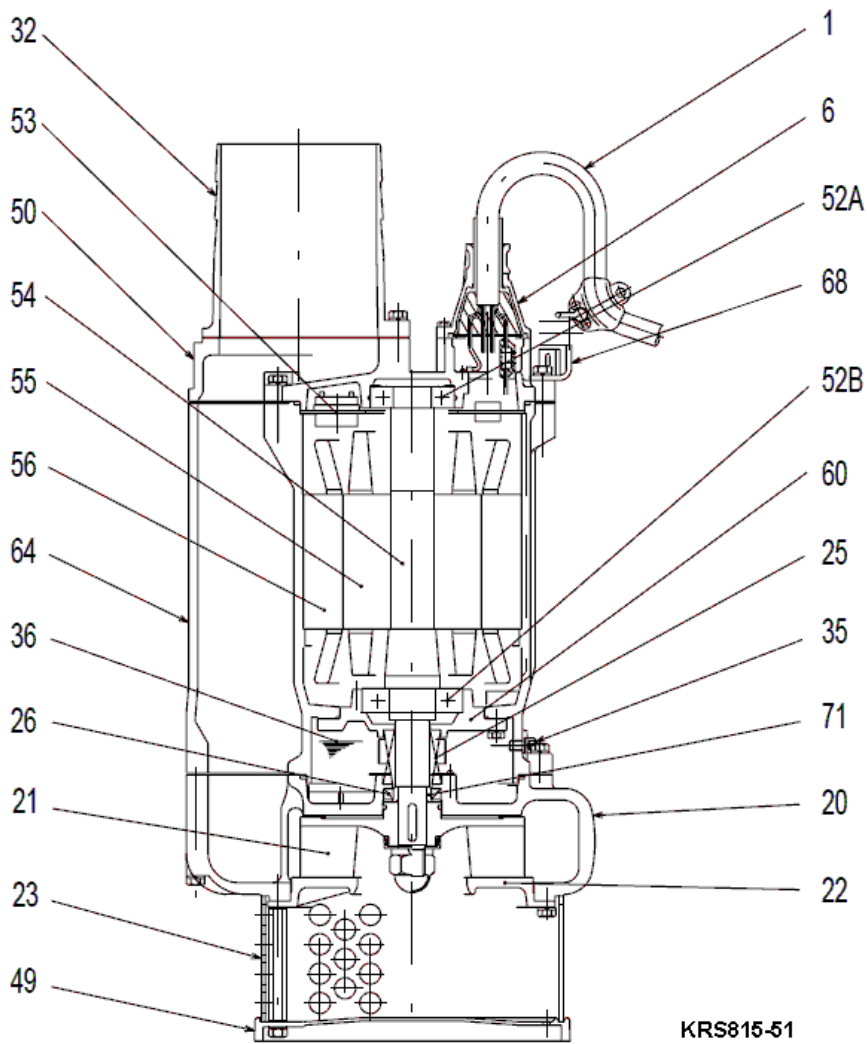


Dimensions KRS815-51



CWL: Continuous running water level
LWL: Lowest running water level

Sectional drawing KRS815-51



KRS815-51

No.	Description	Remark	No.	Description	Remark
1	Cable	20m NSSHÖU	54	Shaft	SUS420J2 (EN-X30Cr13)
6	Stuffing box	FC200 (EN-GJL-200)	55	Rotor	.
20	Pump casing	FC200 (EN-GJL-200)	56	Stator	.
21	Impeller	FCD700 (EN-GJS-700-2)	60	Bearing Housing	FC200 (EN-GJL-200)
22	Suction cover	FC200 (EN-GJL-200)	64	Motor Frame	FC200 (EN-GJL-200)
23	Strainer	Steel plate	68	Handle	electroplated steel pipe
25	Mechanical seal	H-40X	71	Shaft protection sleeve	SUS403 (EN-X6Cr13)
26	Oil seal	TC456812			
32	Discharge coupling	FC200 (EN-GJL-200)			
35	Oil screw	SUS304 (EN-X5CrNi18-10)			
36	Lubricant	Turbine oil (ISO VG32)			
49	Bottom Plate	Steel plate SPCC			
50	Main cover	FC200 (EN-GJL-200)			
52A	Upper bearing	6309ZZC3			
52B	Lower bearing	6311ZZC3			
53	Motor Protector 380/400/415V-50Hz KA314-HRXL00 (H.C)				