

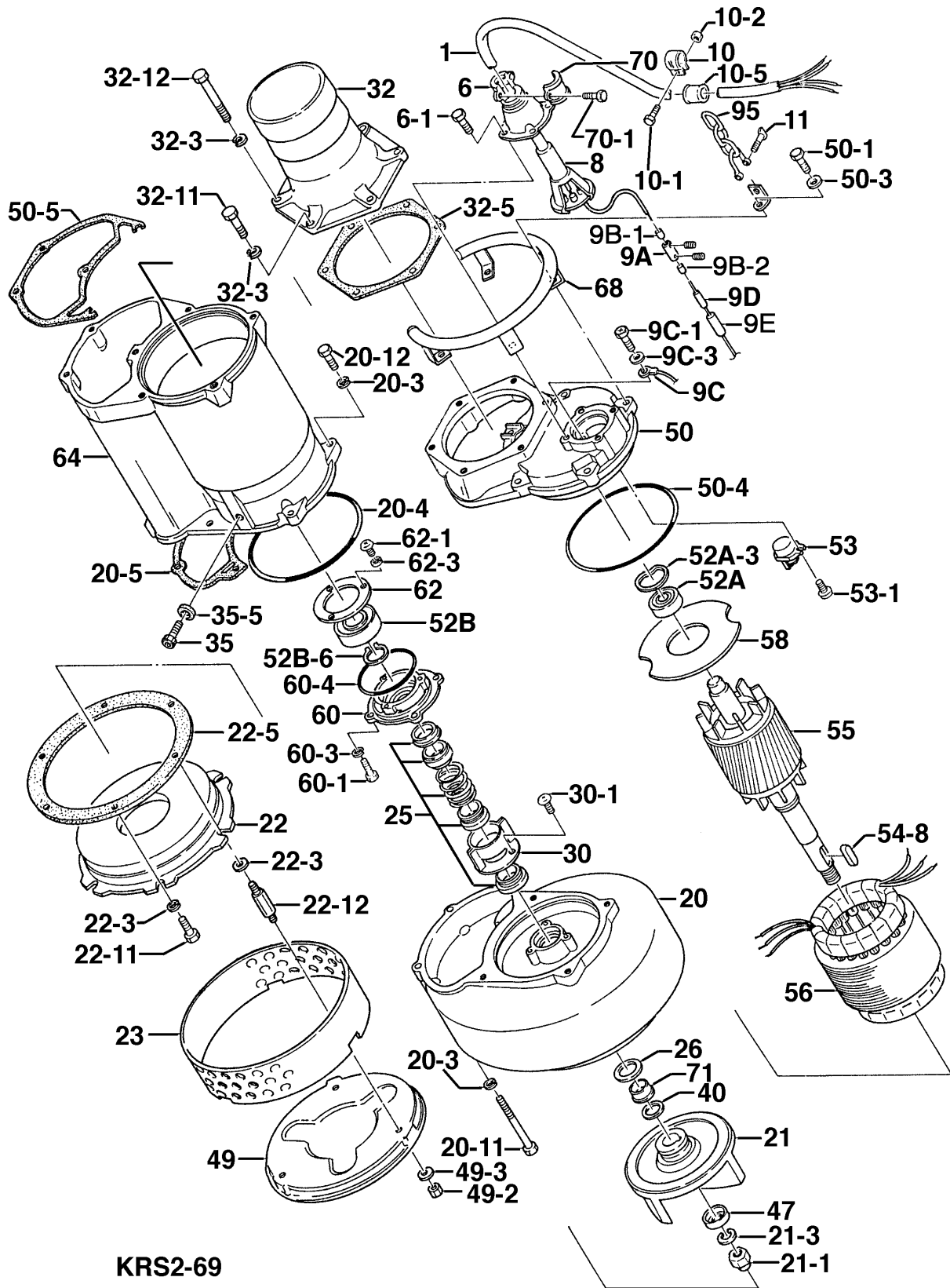
KRS2-69

Kontroll-Nr. --

2016-01-29 V.18 / 1.10.2015

KRS2-69			
Item	Item no.	Description	Quant.
1	001-TEG-11	Cabtyre Cable Set (20m) H07RN-F4Cx4mm ² without stuffing box	1
1	M01-TEG-11	Cabtyre Cable Set (20m) NSSHÖU 4Cx4mm ²	1
6	006-127-15	Stuffing Box No.3 FC	1
6-1	140-055-10	Hex.Bolt M8x25 SUS304 (EN X5CrNi18-10)	4
8	008-150-13	Mould Cover KR3-12 CR	1
9A	009-101-12	Terminal (C/W Screw) d12x(d6.6xd6.6)x25l BSBM	3
9B-1	009-123-10	Terminal P-5.5 CU	3
9B-2	009-123-10	Terminal P-5.5 CU	3
9C	009-131-11	Terminal R-5.5-6 CU	1
9C-1	143-014-16	Pan Screw M4x8 SWRM	1
9C-3	142-160-31	Spring Washer M4 SWRH	1
9D	002-129-15	Heat Shrink Tube (Sold per meter) EVA(d14x1t) (Vm)	1
9E	002-132-11	Heat Shrink Tube (Sold per meter) A4(d17x0.3t) (Vm)	1
10	010-120-18	Cable Clip No.2-1 SPC	1
10-1	140-033-12	Hex.Bolt M6x16 SUS304 (EN X5CrNi18-10) Stainless Steel	2
10-2	141-004-17	Hex.Nut 380/440/460V-60Hz M6 SUS304 (EN X5Cr18-10)	2
10-5	010-122-10	Cable Clip Rubber No.2 NBR	1
11	011-110-11	Shackle 6mm SS	1
20	020-652-18	Pump Casing KRS-69 FC	1
20-11	140-113-17	Hex.Bolt M12x120 SUS304 (EN X5CrNi18-10) Stainless Steel	2
20-12	144-147-12	Stud. Bolt M12x130 SUS403 (EN X6Cr13) Stainless Steel	4
20-3	142-165-10	Spring Washer M12 SUS304 (EN X5Cr18-10)	6
20-4	122-311-11	O-Ring 220xd3.5 NBR	1
20-5	121-134-11	Packing KRS2-69 (NBR)	1
21	021-A05-11	Impeller (50HZ) 50Hz FCD	1
21-1	157-010-15	Impeller Nut M80,P3.5(B=41,Hex.Cap Nut) S35C	1
21-3	142-171-19	Spring Washer M30 SUS304 (EN X5CrNi18-10) Stainless Steel	1
22	022-380-21	Suction Cover D6 FC	1
22-11	140-097-14	Hex.Bolt M12x30 SUS304 (EN X5CrNi18-10)	3
22-12	144-122-24	Stud Bolt M12x107(17/25) SUS403 (EN X6Cr13) Stainless Steel	3
22-3	142-129-25	Plain Washer M12 SPC	6
22-5	120-105-14	Packing d291xd348x0.5t PE	1
23	023-214-13	Strainer D6 SPC	1
25	025-195-13	Mechanical Seal H-35 SiC	1
26	026-123-13	Oil Seal TC-406211 NBR	1
30, 30-1	143-070-23	Pan Screw M5x6 SWRM	2
30, 30-0	130-156-18	Oil Lifter H-35(A)(T) Resin	1
30, 30-1	143-070-10	Pan Screw M5x6 SWRM	3
30, 30-0	130-150-12	Seal Stopper H-35(A)(T) SPCC	1
32	032-166-17	Hose Coupling 150mm FC	1
32-11	140-099-16	Hex.Bolt M12x40 SUS304 (EN X5CrNi18-10)	4
32-12	140-112-16	Hex.Bolt M12x110 SUS304 (EN X5CrNi18-10) Stainless Steel	2
32-3	142-165-10	Spring Washer M12 SUS304 (EN X5Cr18-10)	6
32-5	121-144-18	Packing KRZ8 Type(P.C.236xd190) NBR	1
35	035-113-18	Oil Plug M12x14 SUS304 (EN X5Cr18-10)	1
35-5	121-247-12	Packing (Oil Plug) d12.3xd18x2t PE	1
40	040-110-24	Impeller Shim d32.5xd58x0.3t SUS304 (EN X5CrNi18-10) Stainless Steel	1
47	047-107-16	Impeller Thread Protect.Cover No.6(33) SPC	1
49	049-136-10	Bottom Plate D6 SPC	1
49-2	141-007-10	Hex.Nut M12 SUS304 (EN X5CrNi18-10)	3
49-3	142-129-25	Plain Washer M12 SPC	3
50	050-372-14	Motor Bracket FC	1
50-1	140-101-12	Hex.Bolt M12x50 SUS304 (EN X5CrNi18-10) Stainless Steel	5
50-3	142-165-10	Spring Washer M12 SUS304 (EN X5Cr18-10)	5
50-4	122-250-11	O-Ring 230xd3.8 NBR	1
50-5	121-200-13	Packing (Water Way, Upp.) KRS-8S(T) NBR	1
52-A	052-110-18	Bearing 6307ZZC3	1
52A-3	142-199-13	Wave Washer #6208/6307 SK-5	1
52B	052-113-11	Bearing 6310ZZC3	1
53	053-	Motor Protector	1
54-8	147-021-18	Impeller Key 8x8x44l Stainless Steel	1
55	055-585-17	Rotor	1
56	056-	Stator	1
58	058-120-19	Lead Wire Protection Plate d94xd220x1.6t Resin	1
60	060-222-19	Bearing Housing FC	1
60-1	140-055-49	Hex.Bolt M8x25 SWRM	4
60-3	142-163-34	Spring Washer M8 SWRH	4
60-4	122-140-17	O-Ring G-145 NBR	1
62	062-158-19	Bearing Fixing Plate d95xd144x4.5t SPCC	1
62-1	143-042-13	Pan Screw M6x10 SWRM	3
62-3	142-162-33	Spring Washer M6 SWRH	3
64	064-382-17	Motor Frame FC	1
68	068-159-18	Handle KRS-C6/A6/8S(T) SGP+SPC	1
70	070-107-18	Cable Clamp FC	1
70-1	140-035-27	Hex.Bolt M6x20 SUS304 (EN X5CrNi18-10) Stainless Steel	2
71	071-128-47	Shaft Sleeve KRS-7.5/11KW SUS403 (EN X6Cr13) Stainless Steel	1
95		Chain d4 (SS)	1
	173-437-12	Packing & O-Ring Set	1
	##oilVG32	ml Turbine Oil ISO VG32	2300

Exploded View KRS2-69



KRS2-69