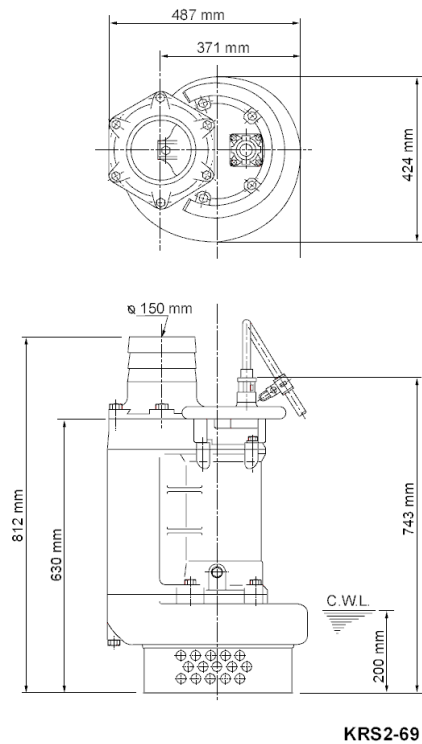
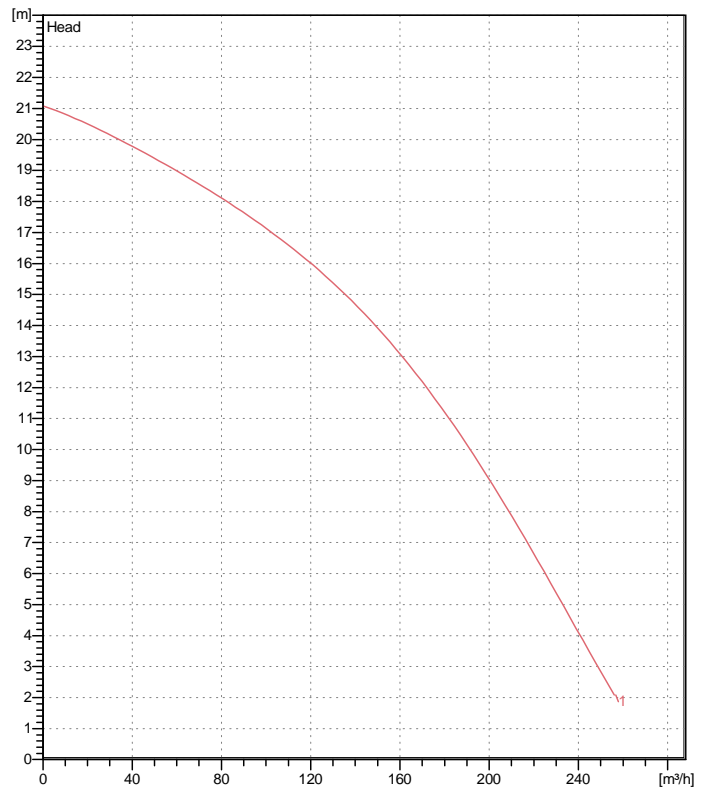


Data sheet KRS2-69



KRS2-69

CWL: Continuous running water level



Specification

Electric submersible pump
 Degree of protection IP 68
 Depth of submersion max. 15 m
 Type of impeller Semi-open
 Max. solid handling 20 mm
 Suitable for:
 rain water, ground water, sand water

Electric motor

Dry-type submersible induction motor
 Insulation class B 4Poles 1440 1/min
 Starting mode Directly
 Rated voltage 400 V 50 Hz 3~
 Power uptake 10,90 kW
 Rated power 9,00 kW
 Rated current 19 A
 Start current 130,0 A

Cable

20m NSSHÖU 4Cx4mm²

Motor Protection

Circle thermal protector
 (snap-action bi-metal device)

Shaft seal

Double inside mechanical seal in oil bath
 additional lubrication by oil lifting device

Primary seal
 Silicon carbide on silicon carbide
 Secondary seal
 Silicon carbide on silicon carbide

Bearings

Shielded ball bearings, maintenance-free

Materials

Impeller	FCD700 (EN-GJS-700-2)
Pump casing	FC200 (EN-GJL-200)
Suction cover	FC200 (EN-GJL-200)
Motor Frame	FC150 (EN-GJL-150)
Shaft	SUS420J2 (EN-X30Cr13)

Discharge size

6" (150mm) hose coupling

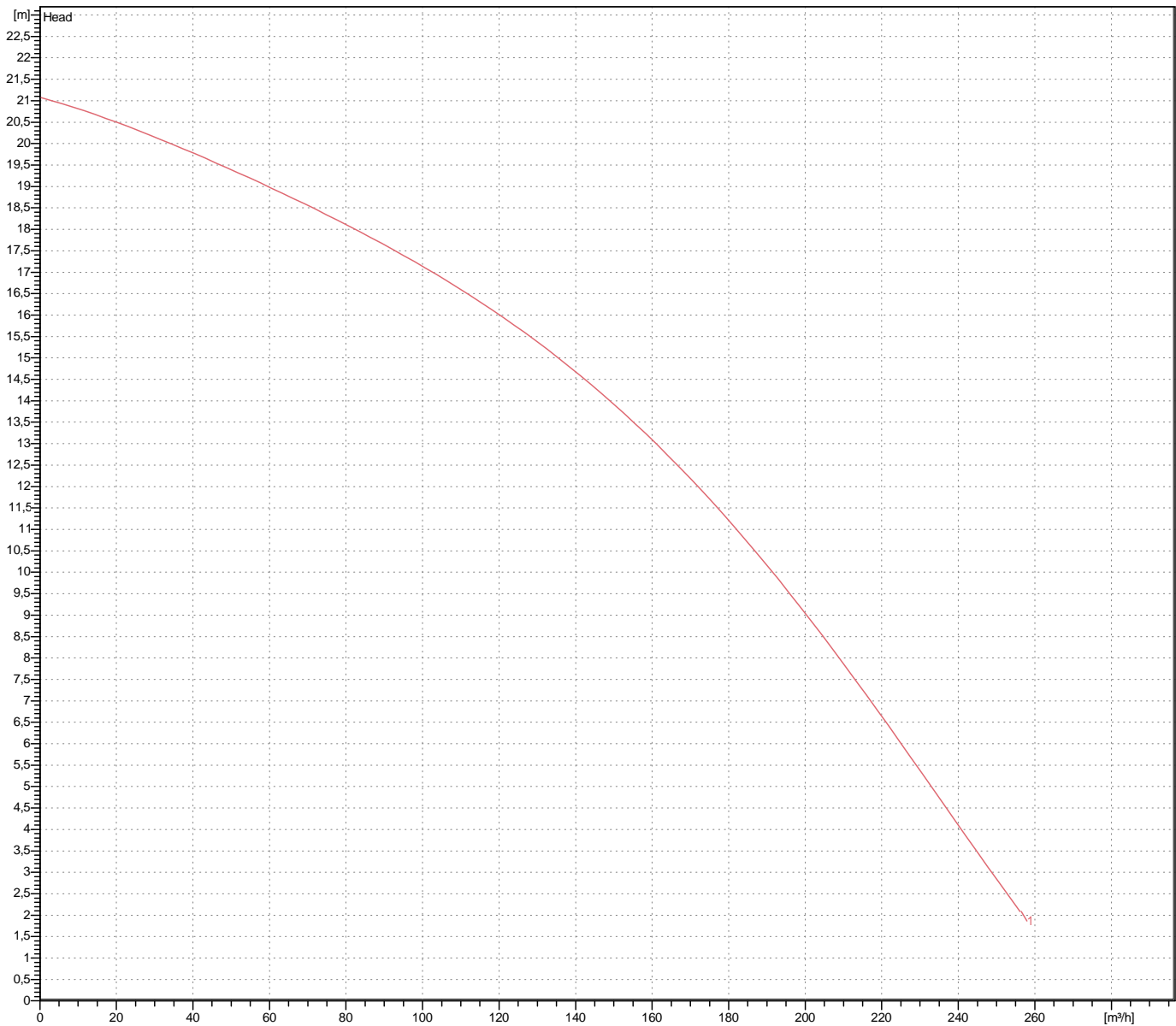
Weight

155 kg (dry weight of the pump only without cable)

Performance curve

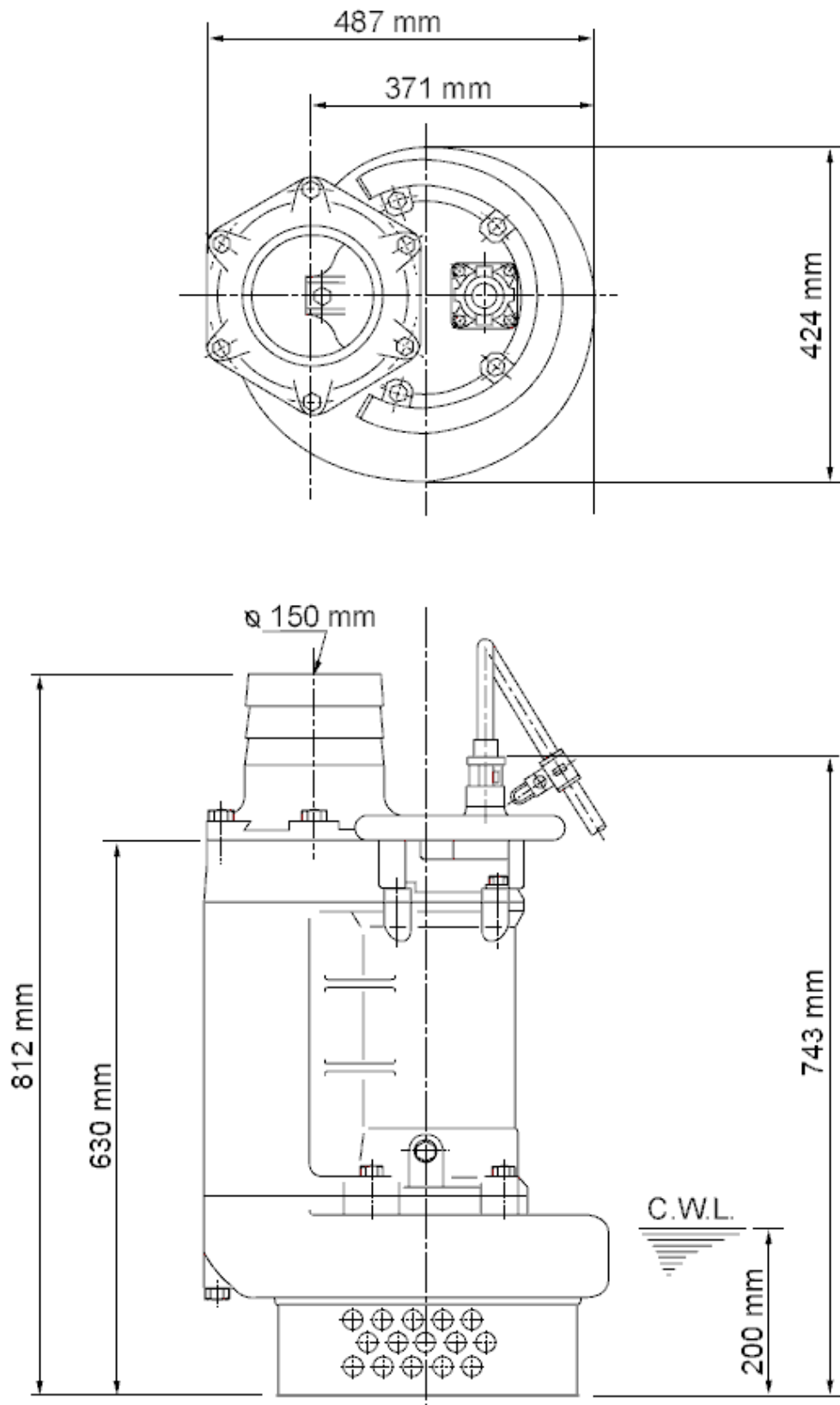
KRS2-69

Discharge port	6"
Head	21,1 m
Flow	256,1 m ³ /h
Rated power	9,00 kW
Power input	10,90 kW
Phases	3~
Voltages	400 V
Frequency	50 Hz
Rated current	19 A
Starting current	129,96 A
Number of poles	4
Speed	1440 1/min
Starting mode	Directly
Insulation class	B



Dimensions

KRS2-69



KRS2-69

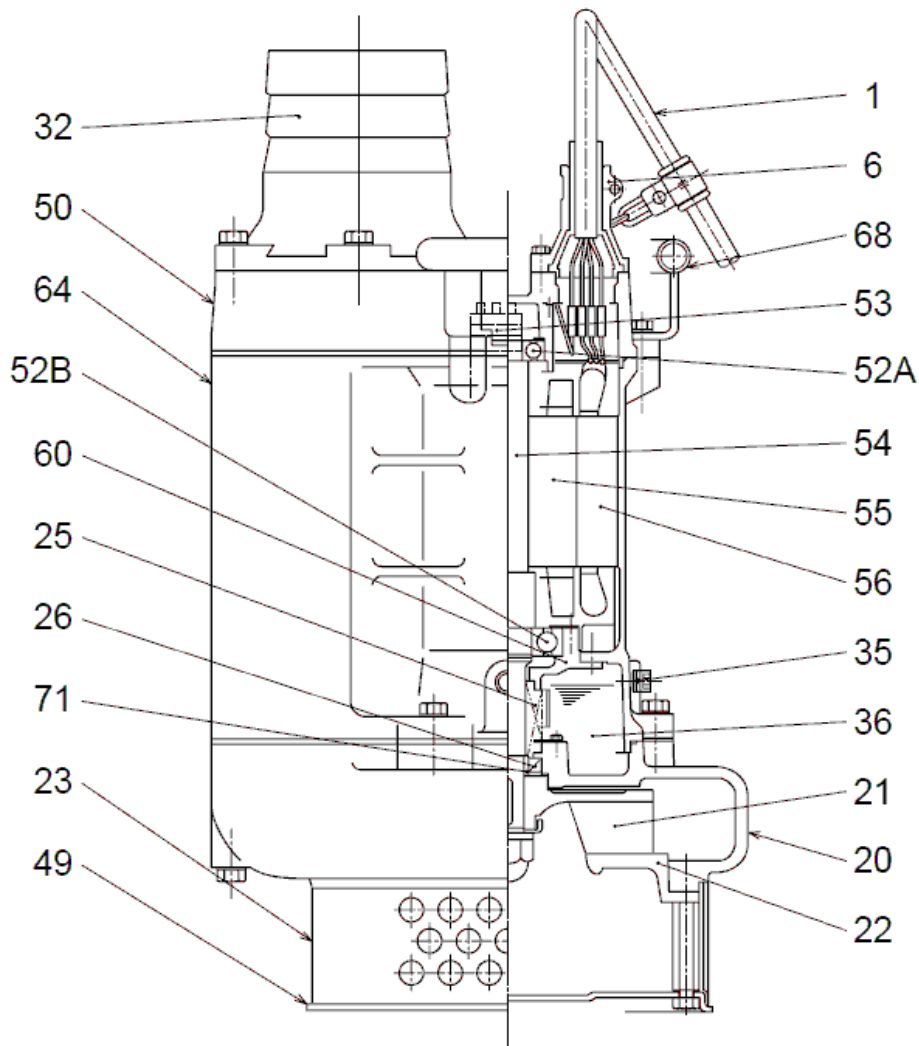
CWL: Continuous running water level
LWL: Lowest running water level

 **TSURUMI PUMP**

Tsurumi Europe GmbH
27.01.2016 V.18 / 1.10.2015

Heltorfer Str. 14 * 40472 Düsseldorf * Germany
Tel.: +49-211-4179373 sales@tsurumi.eu
Fax: +49-211-417937-480 www.tsurumi.eu

Sectional drawing KRS2-69



KRS2-69

No.	Description	Remark	No.	Description	Remark
1	Cable	20m NSSHÖU	54	Shaft	SUS420J2 (EN-X30Cr13)
6	Stuffing box	FC200 (EN-GJL-200)	55	Rotor	.
20	Pump casing	FC200 (EN-GJL-200)	56	Stator	.
21	Impeller	FCD700 (EN-GJS-700-2)	60	Bearing Housing	FC150 (EN-GJL-150)
22	Suction cover	FC200 (EN-GJL-200)	64	Motor Frame	FC150 (EN-GJL-150)
23	Strainer	Steel plate	68	Handle	electroplated steel pipe
25	Mechanical seal	H-30T	71	Shaft protection sleeve	SUS403 (EN-X6Cr13)
26	Oil seal	.			
32	Discharge coupling	FC200 (EN-GJL-200)			
35	Oil screw	SUS304 (EN-X5CrNi18-10)			
36	Lubricant	Turbine oil (ISO VG32)			
49	Bottom Plate	Steel plate SPCC			
50	Main cover	FC150 (EN-GJL-150)			
52A	Upper bearing	.			
52B	Lower bearing	.			
53	Motor Protector 380/400/415V-50Hz KA314-HRXL00 (H.C)				