

**KRS-85.5**

Kontroll-Nr. --

2016-01-29 V.18 / 1.10.2015

KRS-85.5			
Item	Item no.	Description	Quant.
1	141-004-33	Hex.Nut M6 SWRM	1
2	010-120-18	Cable Clip No.2-1 SPC	1
3	010-121-19	Cable Clip Rubber No.1 NBR	1
4	140-032-37	Hex.Bolt M6x15 SWRM	1
5	095-131-18	Chain d4(3-Link) SS	1
6	011-110-11	Shackle 6mm SS	1
7	140-079-10	Hex.Bolt M10x40 SUS304 (EN X5Cr18-10)	4
8	142-164-19	Spring Washer M10 SUS304 (EN X5CrNi18-10)	4
9	070-103-10	Cable Clamper (SS)	1
10	001-TEG-02	Cabletyre Cable Set (20m) H07RN-F4Cx2.5mm <sup>2</sup> without stuffing box	1
10	M01-TEG-02	Cabletyre Cable Set (20m) NSSHÖU 4Cx2.5mm <sup>2</sup>	1
11	140-060-18	Hex.Bolt M8x50 SUS304	4
12	006-167-17	Stuffing Box No.1-3 FC	1
13	122-121-12	O-Ring G-50 NBR	1
14	004-168-12	Cable Bush No.2 CR	1
15	008-156-19	Mould Cover No.1-3 ADC	1
16	009-123-10	Terminal P-5.5 CU	8
16A	009-101-12	Terminal(C/W Screw) d12x(d6.6xd6.6)x25l BSBM	4
17	002-129-15	Heat Shrink Tube (Sold per meter) EVA(d14x1t) (Vm)	1
17A	002-132-11	Heat Shrink Tube (Sold per meter) A4(d17x0.3t) (Vm)	1
18	032-141-29	Hose Coupling 200mm(KRS Type) FC	1
19	140-112-16	Hex.Bolt M12x10 SUS304 (EN X5CrNi18-10) Stainless Steel	2
20	140-098-15	Hex.Bolt M12x35 SUS304 (EN X5Cr18-10)	4
21	121-144-18	Packing KRZ8 Type(P.C.236xd190) NBR	1
22	140-079-10	Hex.Bolt M10x40 SUS304 (EN X5Cr18-10)	1
23	142-164-19	Spring Washer M10 SUS304 (EN X5CrNi18-10)	1
24	142-227-11	Seal Washer W-10 SPC+NBR	1
25	068-200-15	Handle KRS-65.5/85.5(T) SGP+SS	1
26	050-318-12	Motor Bracket FC	1
27	009-116-10	Terminal R-2-4 CU	1
28	143-805-34	Pan Screw (w/spring washer /plain washer) M4x6 (SWRM)	1
29	122-410-11	O-Ring 190xd3.8 NBR	1
30	053-222-17	Motor Protector 380/400/415V-50HZ KA314-HMXL00 (H.C)	1
31	143-126-12	Pan Screw (w/Spring Washer/Plain Washer) M4x12 SWRM	2
32	142-197-11	Wave Washer #6305 SK-5	1
33	052-108-13	Bearing 6305ZZC3	1
34	058-155-13	Lead Wire Protection Plate d78xd180x1.6t Bakelite	1
35	055-453-15	Rotor	1
36	147-023-10	Impeller Key 7x7x32l Stainless Steel	1
37	056-056-C56-10	Stator Stator 400/415V-50Hz (EUR)	1
38	121-199-18	Packing (Water Way, Upp.) KRS-65.5/85.5 NBR	1
39	064-381-16	Motor Frame FC	1
40	140-099-16	Hex.Bolt M12x40 SUS304 (EN X5CrNi18-10)	4
41	142-165-10	Spring Washer M12 SUS304 (EN X5Cr18-10)	4
42	121-134-15	Packing (Water Way, Low.) KRJ-8 NBR	1
43	121-247-12	Packing (Oil Plug) d12.3xd18x2t PE	1
44	035-113-18	Oil Plug M12x14 SUS304 (EN X5Cr18-10)	1
45	122-310-10	O-Ring 200xd3.5 NBR	1
46	143-042-13	Pan Screw M6x10 SWRM	3
47	062-116-15	Bearing Fixing Plate d80xd115x3.2t SS	1
48	052-111-19	Bearing 6308ZZC3	1
49	146-025-19	Retaining Ring C40 SK-5	1
50	122-134-18	O-Ring G-115 NBR	1
51	060-272-14	Bearing Housing FC	1
52	140-054-48	Hex.Bolt M8x20 SWRM	4
53	025-246-10	Mechanical Seal H-30A SiC+CCBN	1
54	143-070-10	Pan Screw M5x6 SWRM	3
55	030-110-23	Oil Ring For H-30/35 SPC	1
56	020-650-16	Pump Casing KRS-85.5 FC	1
57	142-165-10	Spring Washer M12 SUS304 (EN X5Cr18-10)	1
58	140-113-17	Hex.Bolt M12x120 SUS304 (EN X5CrNi18-10) Stainless Steel	1
59	026-109-13	Oil Seal TC-355511 NBR	1
60	071-127-46	Shaft Sleeve KRS-3.7/5.5KW SUS403 (EN X6Cr13) Stainless Steel	1
61	040-109-20	Impeller Shim d27.5xd52x0.3t SUS304 (EN X5CrNi18-10) Stainless Steel	1
62	021-A04-71	Impeller 50Hz (FCD)	1
63	047-106-15	Impeller Thread Protect.Cover No.5(26) SPC	1
64	142-170-18	Spring Washer M24 SUS304 (EN X5CrNi18-10) Stainless Steel	1
65	157-006-18	Impeller Nut M24.P3(B=35,Hex.Cap Nut) S35C	1
66	120-129-14	Packing d230xd288x0.5t PE	1
67	022-584-14	Suction Cover KRS-63 FC	1
68	142-129-25	Plain Washer M12 SPC	3
69	144-154-12	Stud Bolt M12x177(15/30) SUS403 (EN X6Cr13) Stainless Steel	3
70	142-165-10	Spring Washer M12 SUS304 (EN X5Cr18-10)	3
71	140-097-14	Hex.Bolt M12x30 SUS304 (EN X5CrNi18-10)	3
72	023-335-11	Strainer KRS-85.5 SPC	1
73	049-115-26	Bottom Plate B6 SPC	1
74	141-007-10	Hex.Nut M12 SUS304 (EN X5CrNi18-10)	3
AA	143-070-23	Pan Screw M5x6 SWRM	2
BB	030-142-11	Oil Lifter H-30(A)(T) Resin	1
CC	143-070-10	Pan Screw M5x6 SWRM	3
DD	030-151-13	Seal Stopper H-30(A)(T) SPCC	1

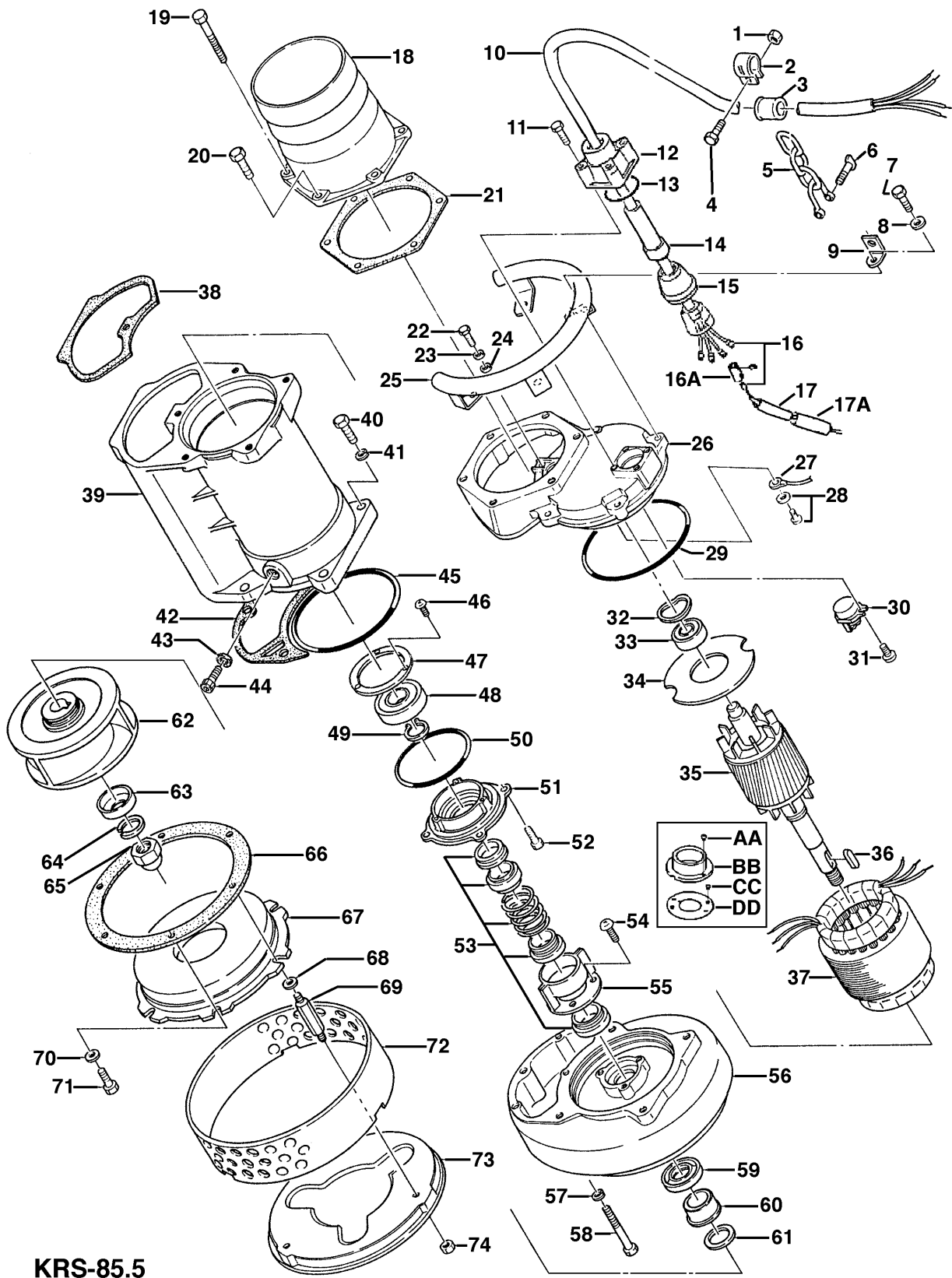
**KRS-85.5**

Kontroll-Nr. --

2016-01-29 V.18 / 1.10.2015

KRS-85.5			
Item	Item no.	Description	Quant.
	183-010-16	"Impeller Puller "A Type No.5 1""1/2"" "	1
	173-136-18	Packing & O-Ring Set	1
	##oilVG32	ml Turbine Oil ISO VG32	1960

# Exploded View KRS-85.5



KRS-85.5